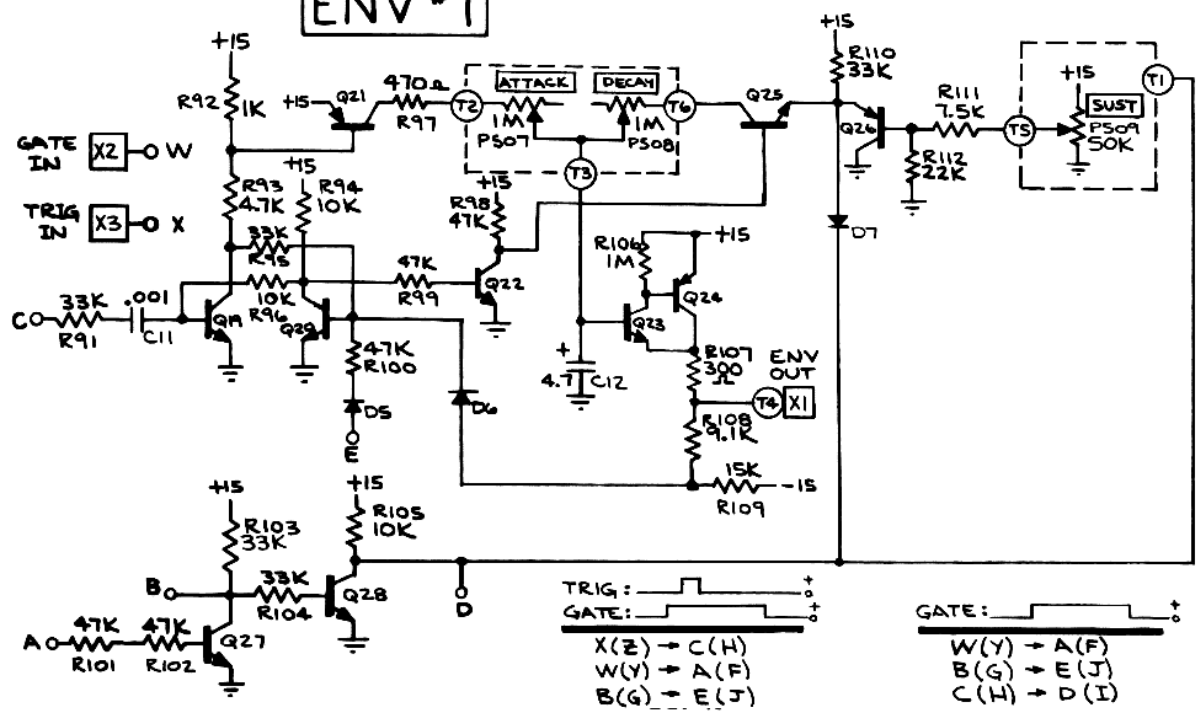
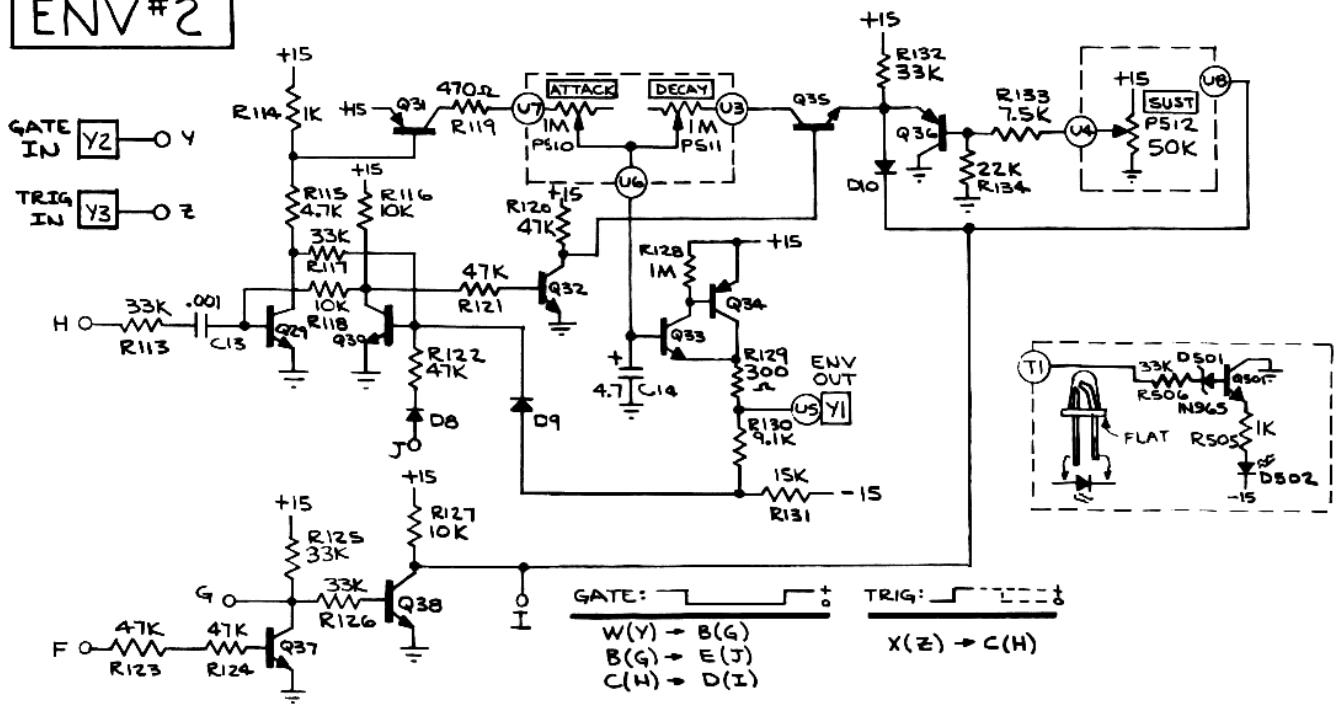
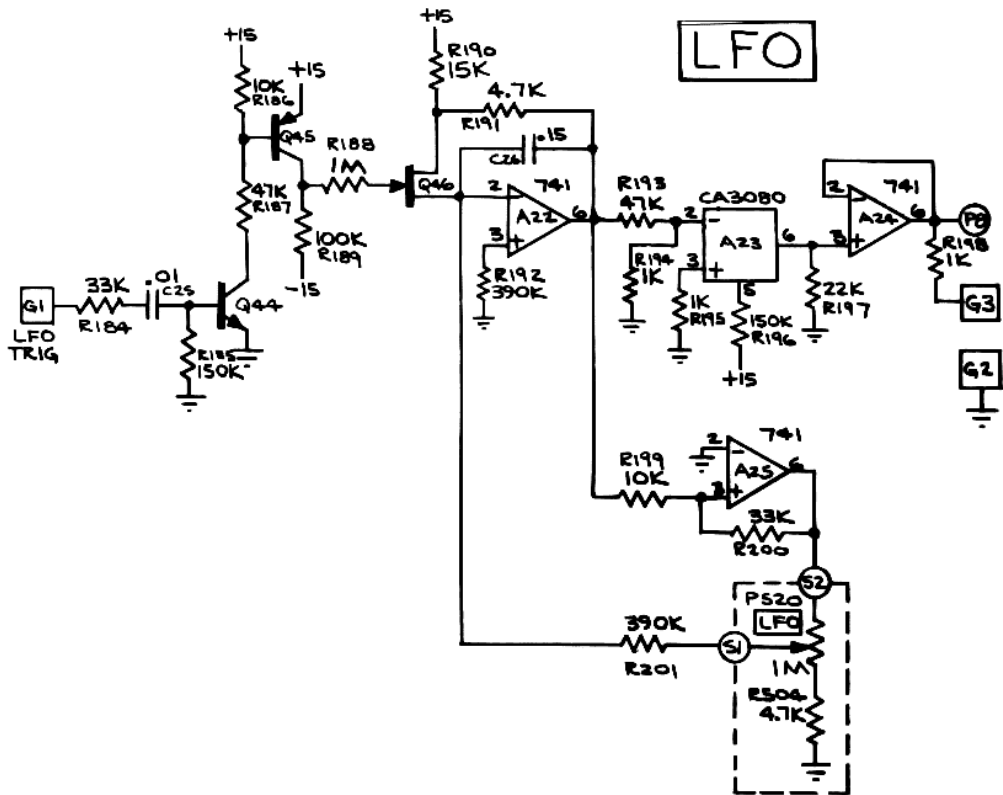


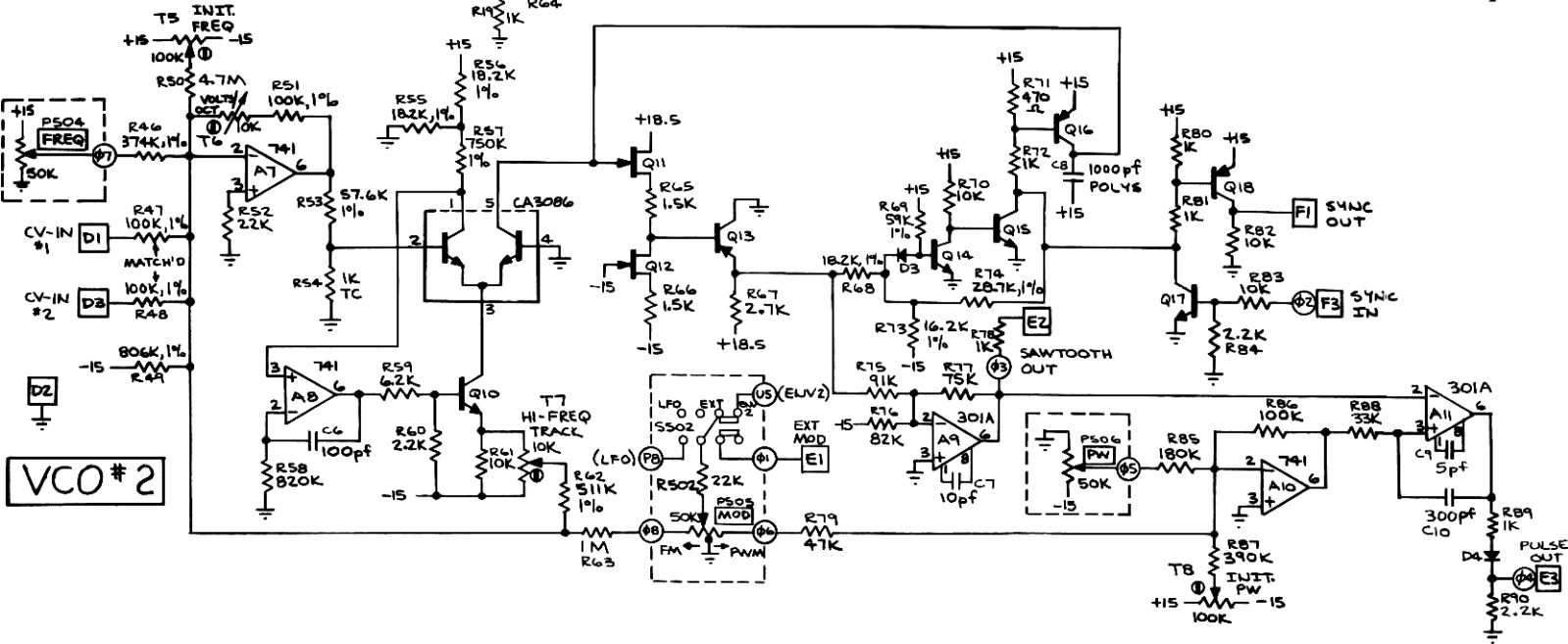
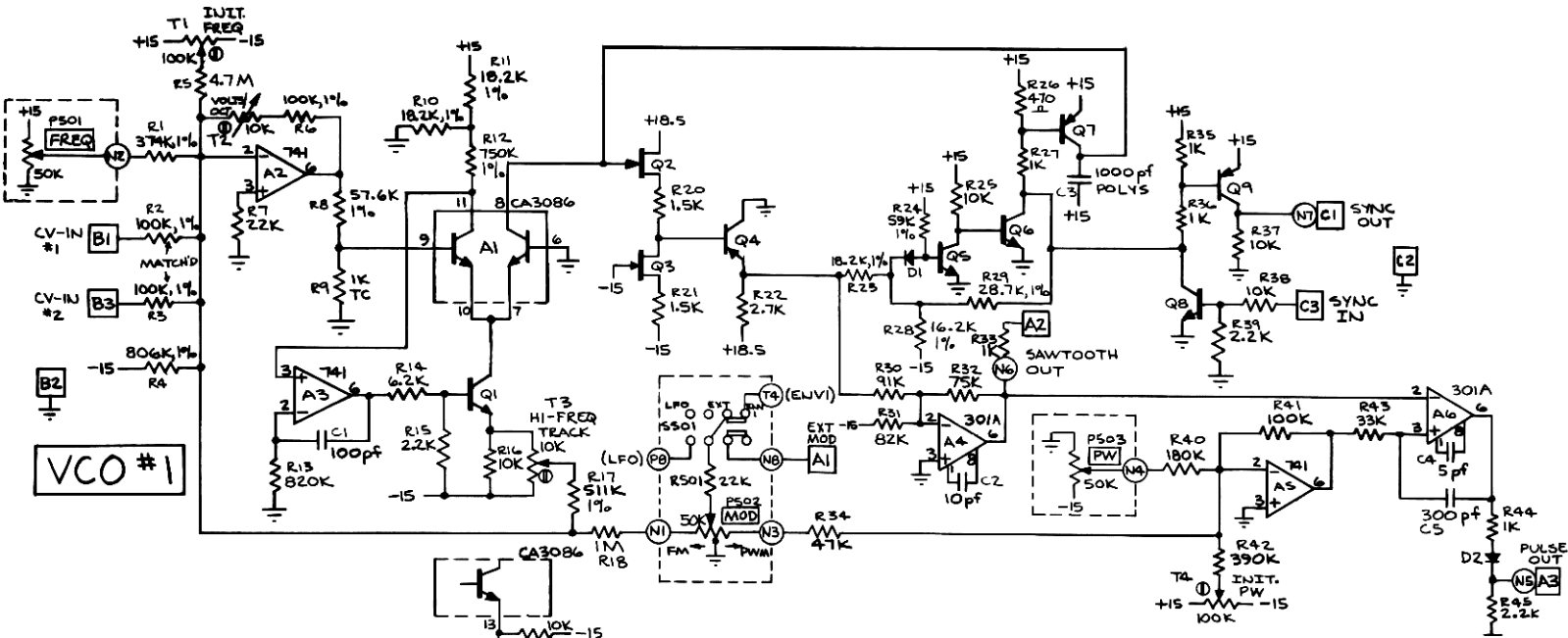
# ENV #1



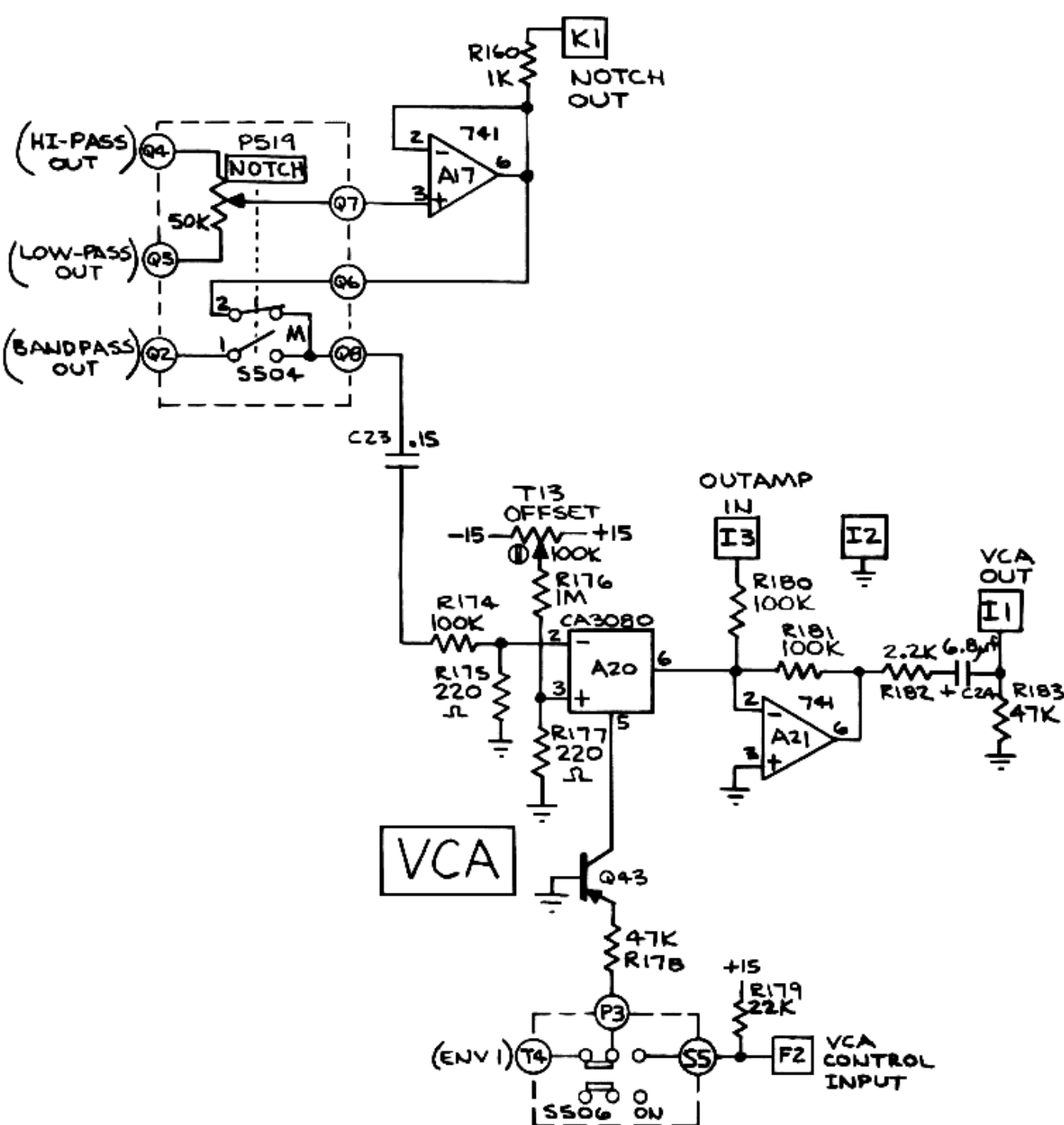
# ENV #2









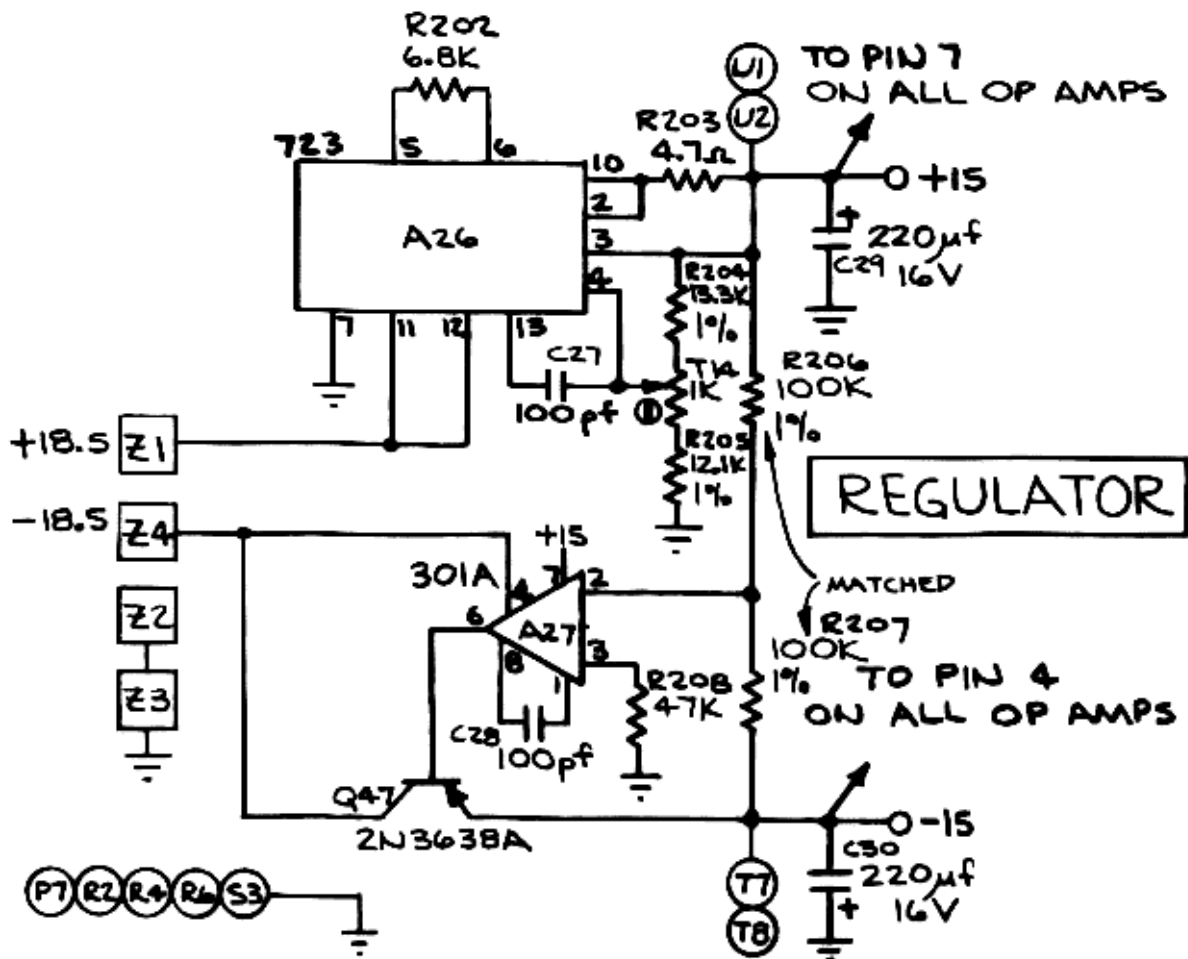


## NOTES:

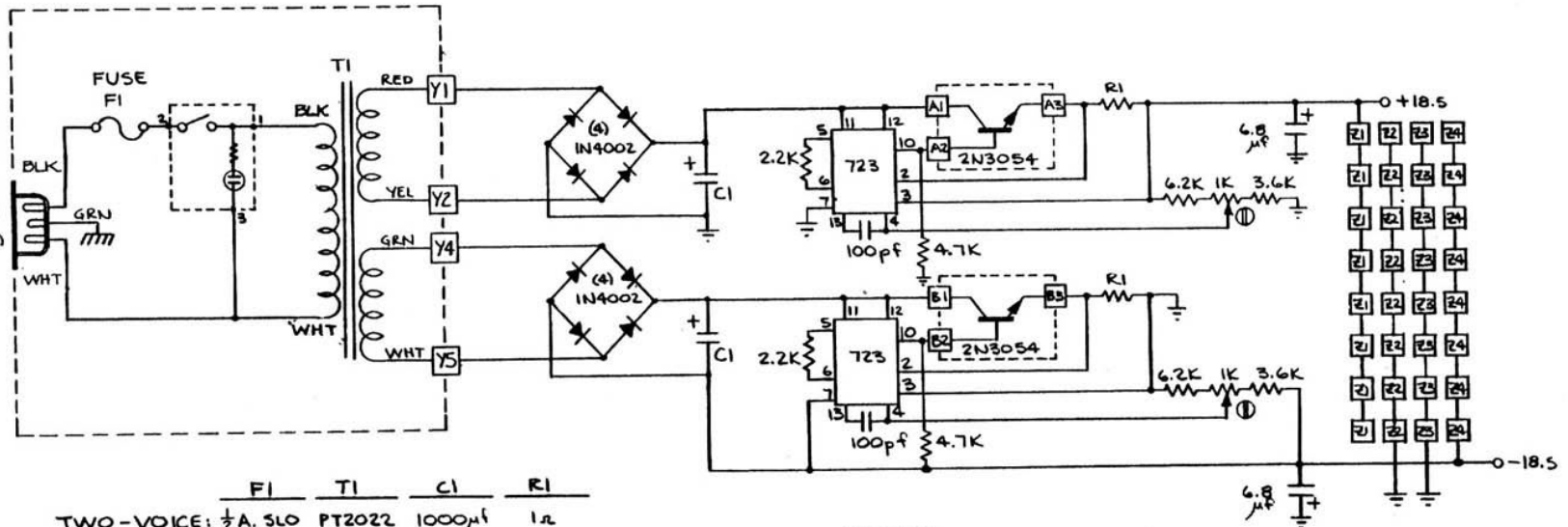
(UNLESS SPECIFIED OTHERWISE)

1. ALL RESISTORS ARE  $\frac{1}{4}$  W, 5%
2. ALL CAPACITORS IN  $\mu$ f.
3. ALL NPN TRANSISTORS - 2N5172
4. ALL PNP TRANSISTORS - 2N3905
5. ALL DIODES - 1N4148
6. ALL FET'S - 2N4302

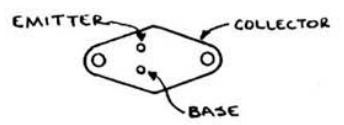
| <u>LAST</u> | <u>LAST (POT BD)</u> |
|-------------|----------------------|
| R208        | R506                 |
| T14         | P520                 |
| C30         |                      |
| D12         | D502                 |
| Q47         | Q501                 |
| A27         | S506                 |



105-125 (BLK)  
VAC (GRN)  
50-60 Hz (WHT)

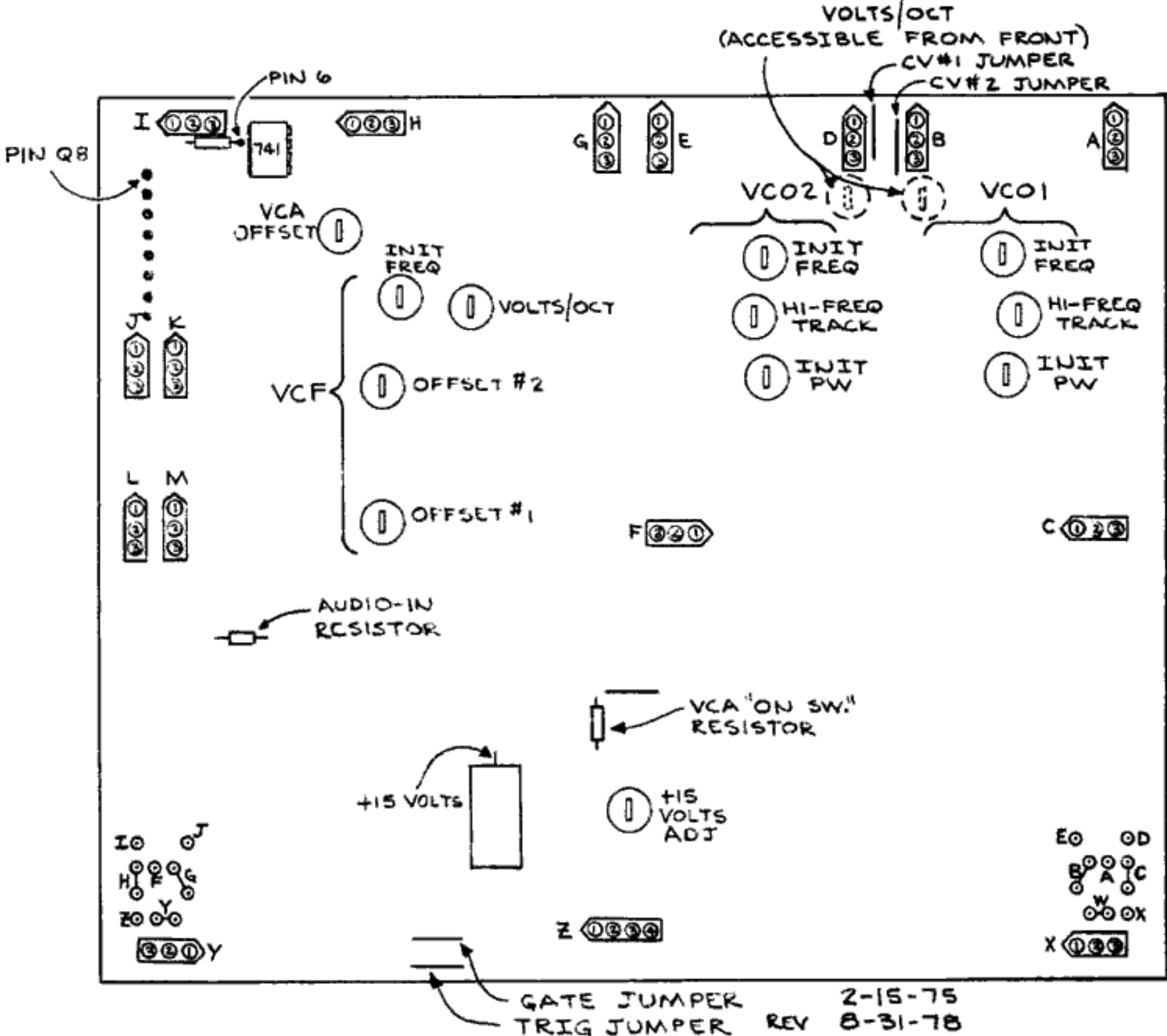


|             | F1       | T1     | C1     | R1  |
|-------------|----------|--------|--------|-----|
| TWO-VOICE:  | ½ A. SLO | PT2022 | 1000µf | 1Ω  |
| FOUR-VOICE: | 1 A. SLO | PT2054 | 2000µf | .5Ω |



OBERHEIM ELECTRONICS, INC  
- SCHEMATIC -  
SYNTHESIZER  
POWER SUPPLY  
NOV. 11, 1975  
REV 5-30-78





# SEM-1A ELECTRONICS BOARD

## JUMPERS

B1 → D1

B3 → D3

I → H

F → Y

G → J

G<sup>0</sup> → Z

B → E

A → W

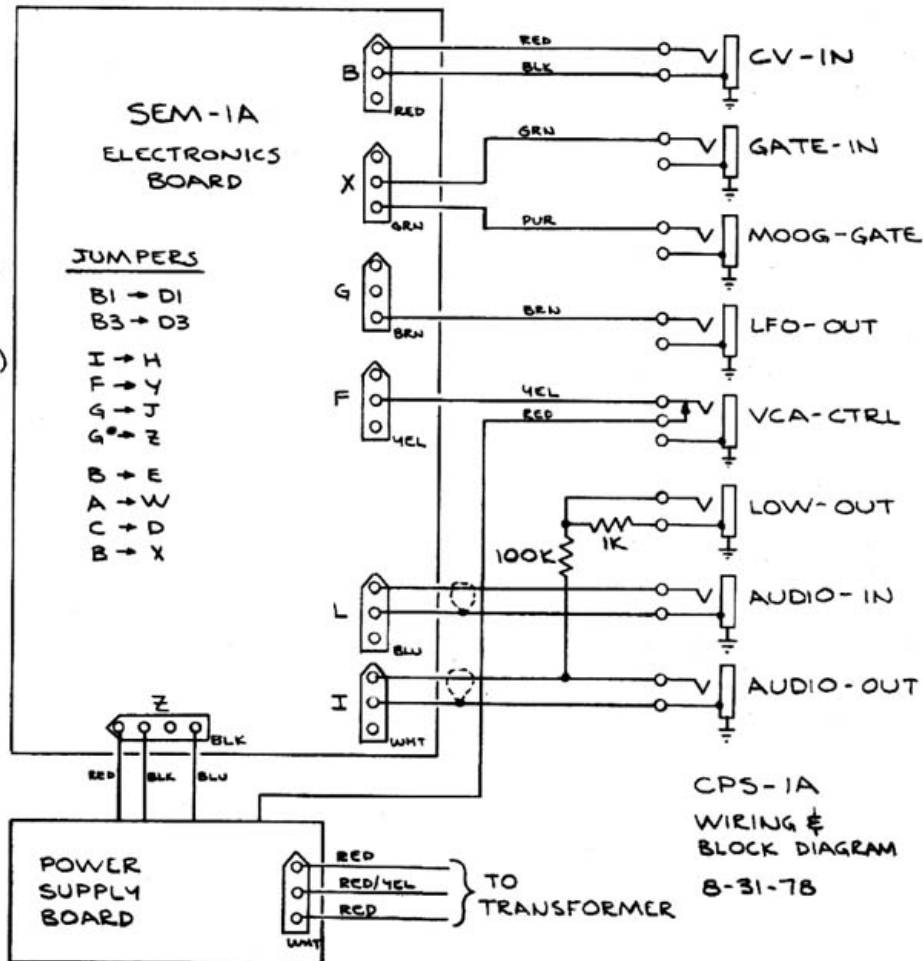
C → D

B → X

CHANGES  
TO SEM-1A  
ELECTRONICS  
BOARD WHEN  
USED IN CPS-1A

1) VCA "ON-SW"  
RESISTOR (22K)  
IS REMOVED.

2) AUDIO-IN  
SUMMING  
RESISTOR  
(R155, 220K)  
IS PARALLELED  
WITH 47K.



CPS-1A  
WIRING &  
BLOCK DIAGRAM  
8-31-78