

**This manual comes from the Siel Synthesizers Website.**

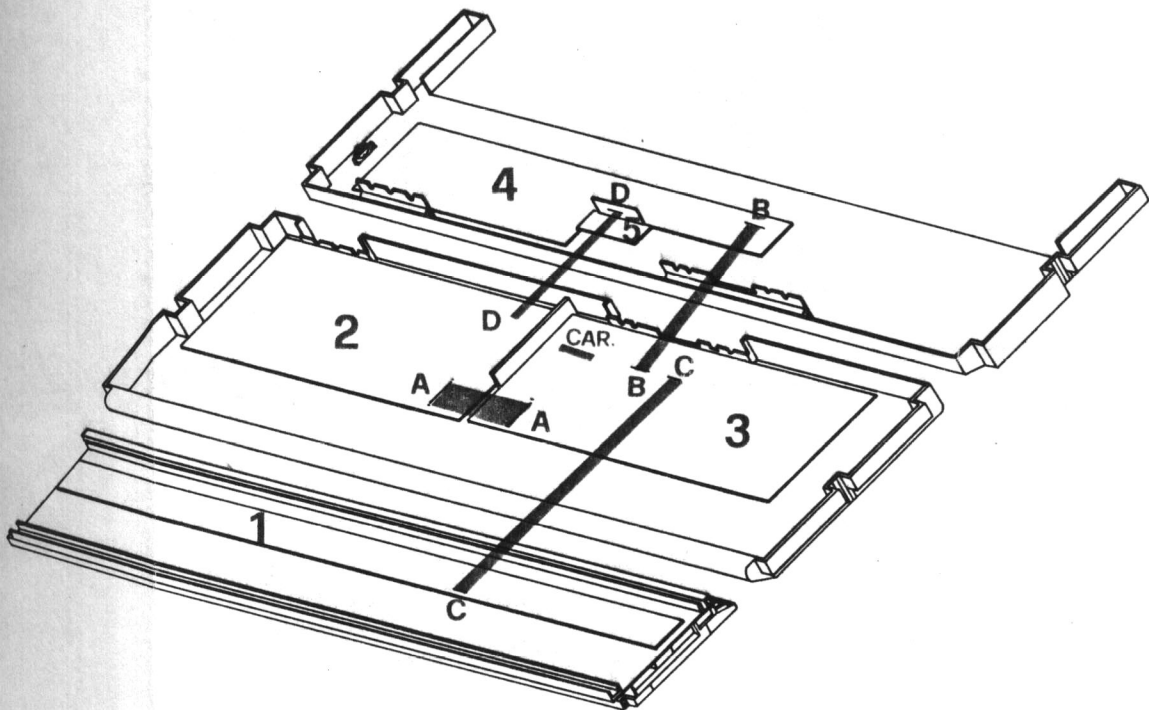
**If you found this manual somewhere else, please take a look at:**

**<http://www.siel.tk>**

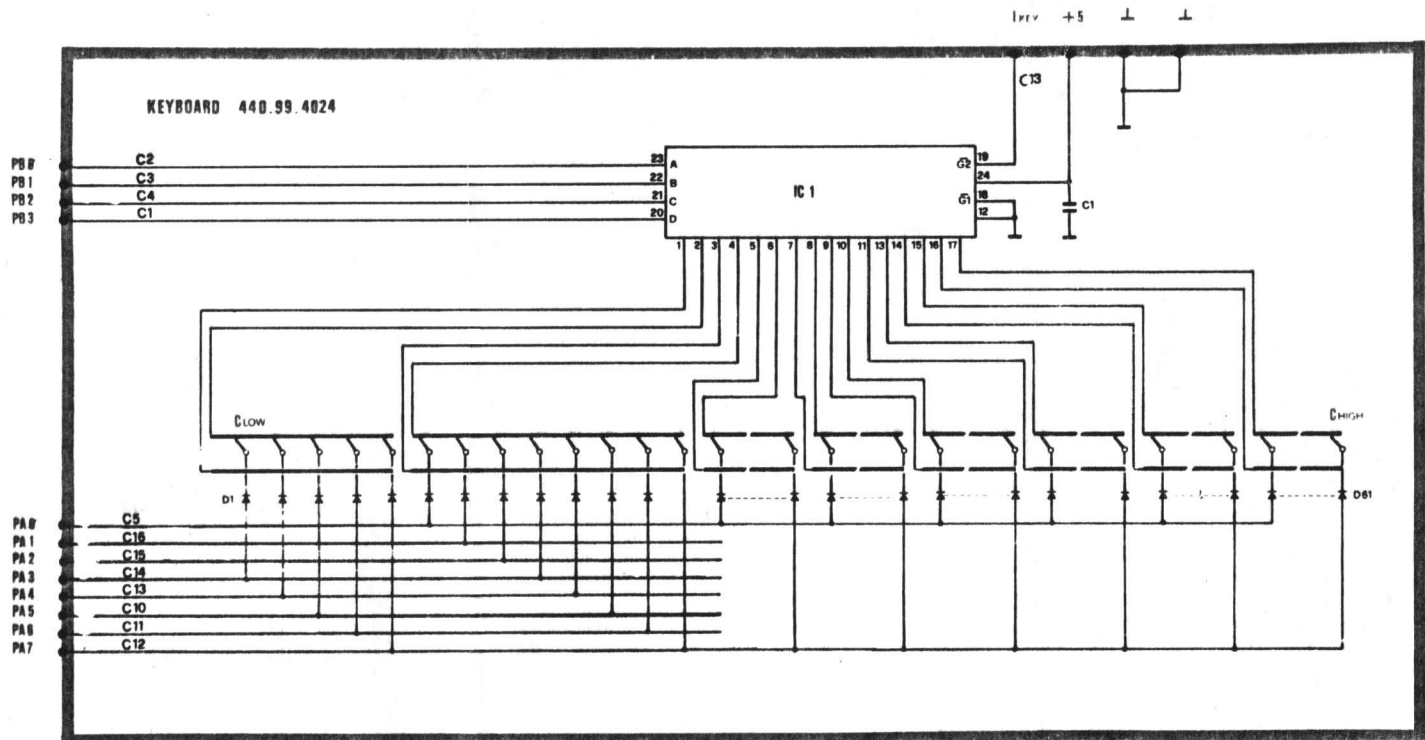
**or <http://home.tiscali.nl/~smeyer/siel>**

**Sander Meyer**

**[smeyer@worldonline.nl](mailto:smeyer@worldonline.nl)**

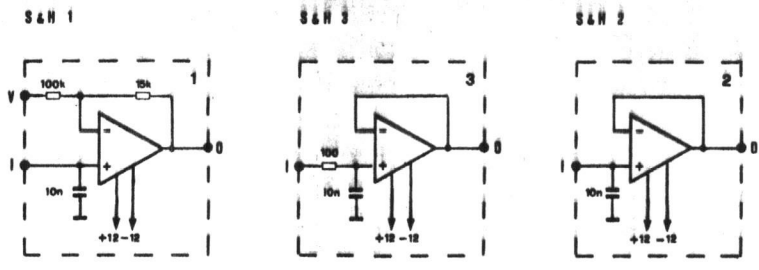
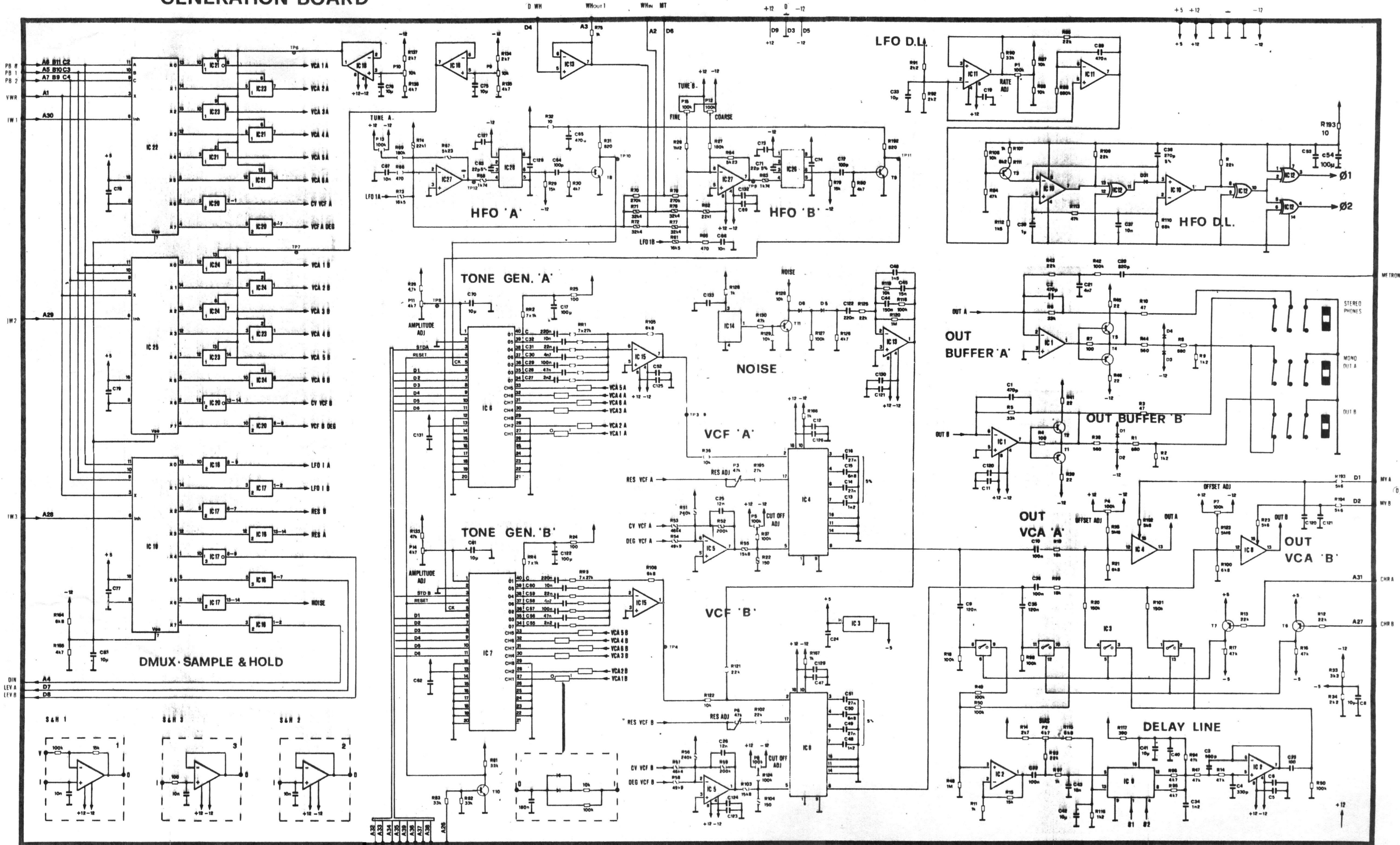


- |  |                    |
|--|--------------------|
| <b>1. KEYBOARD</b>                     | <b>440 99 4024</b> |
| <b>2. GENERATION BOARD</b>             | <b>440 99 4023</b> |
| <b>3. CPU BOARD</b>                    | <b>440 99 4022</b> |
| <b>4. DISPLAY &amp; SWITCHES BOARD</b> | <b>440 99 0339</b> |
| <b>5. CONTROLS BOARD</b>               | <b>440 99 0338</b> |



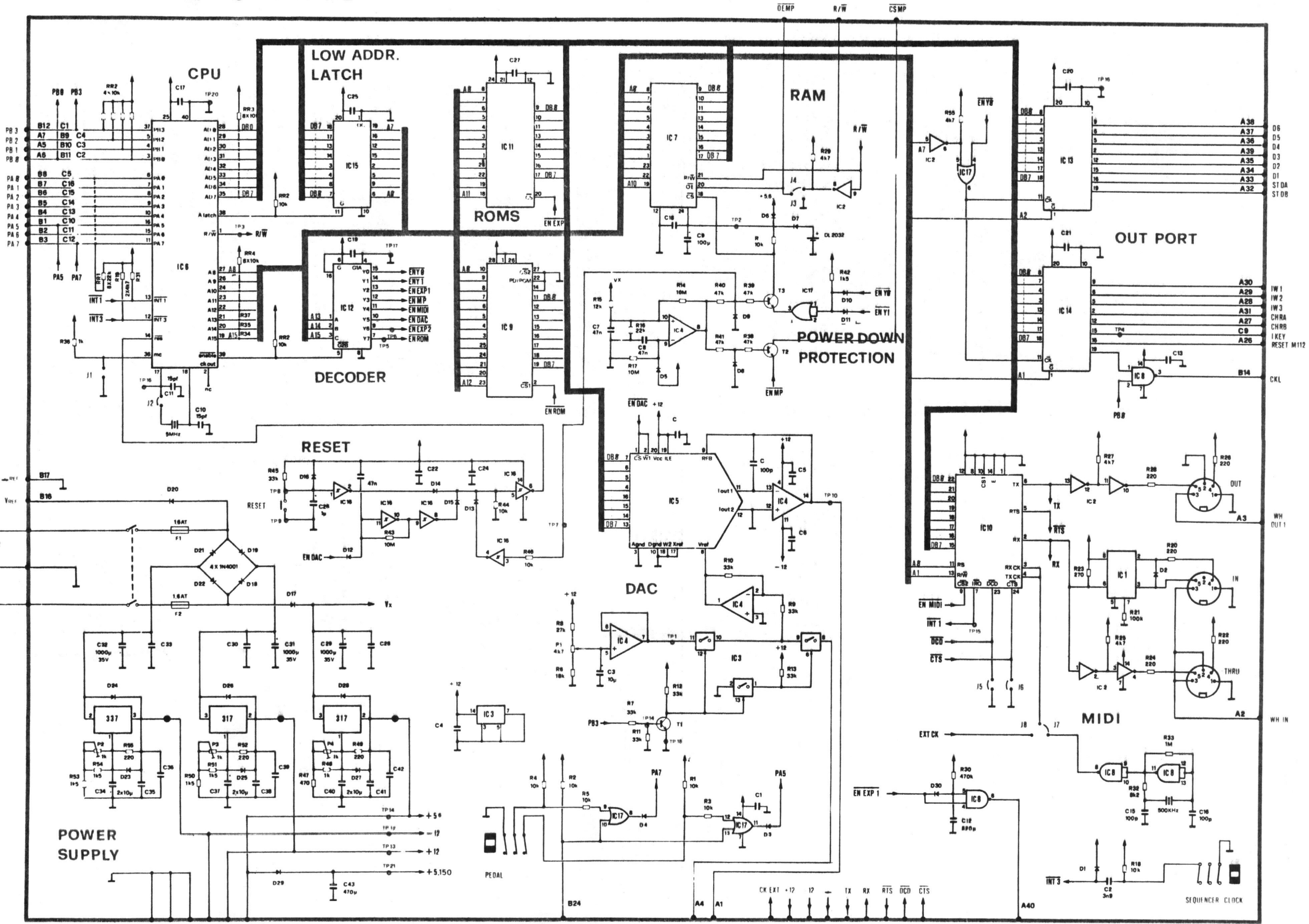
KEYBOARD

# GENERATION BOARD

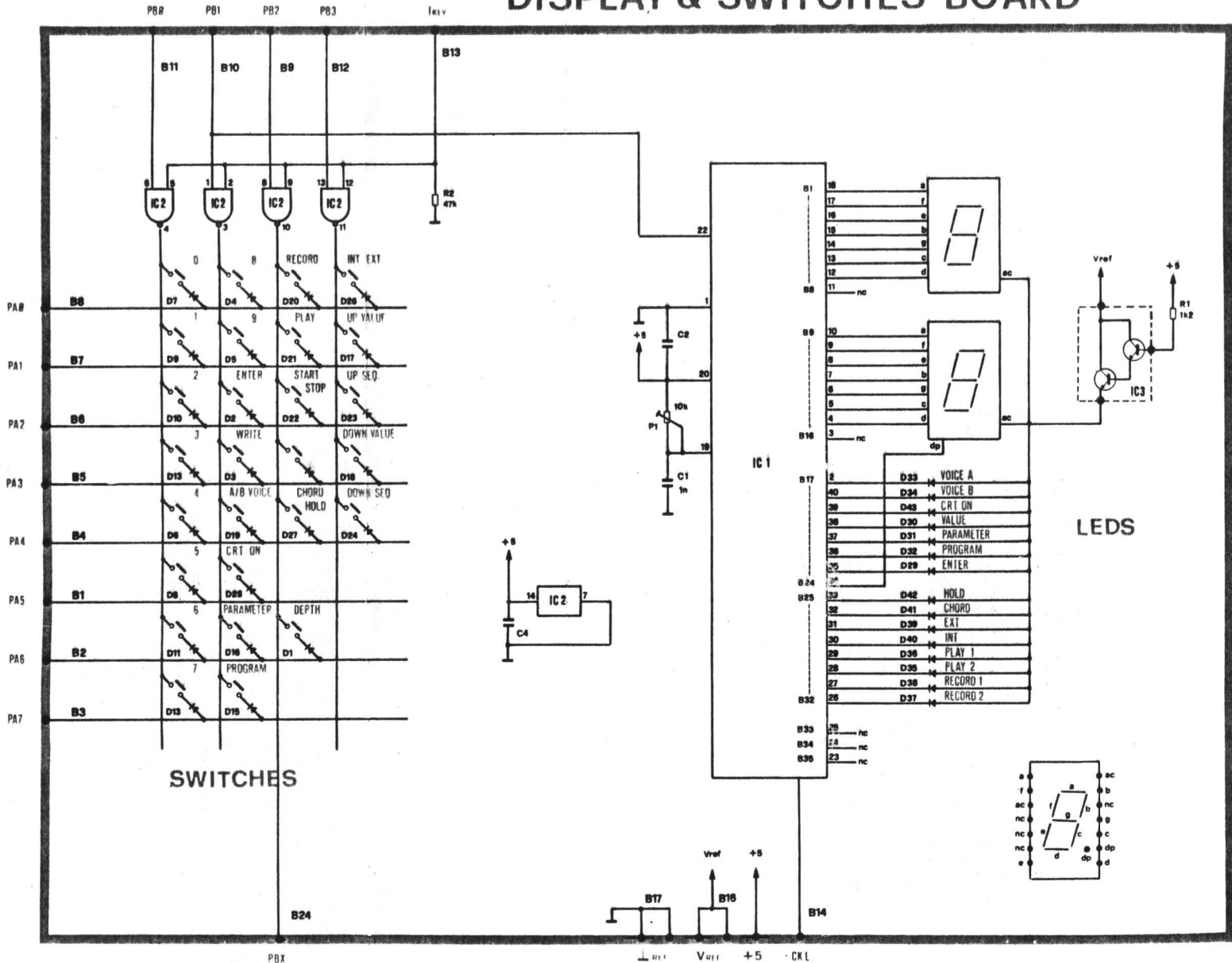


STD B  
STD A  
D1  
D2  
D3  
D4  
D5  
D6  
RESET  
M112

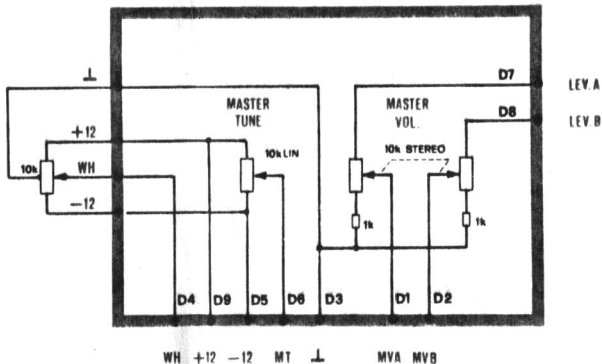
# CPU BOARD



# DISPLAY & SWITCHES BOARD

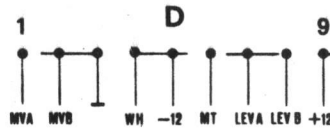
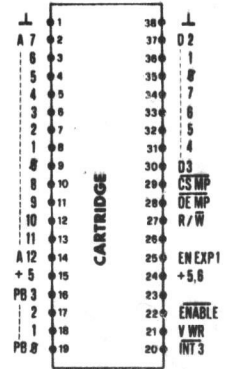
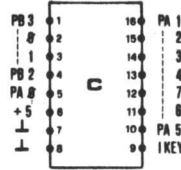
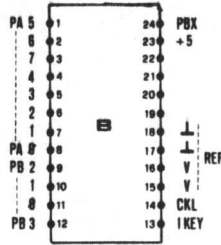
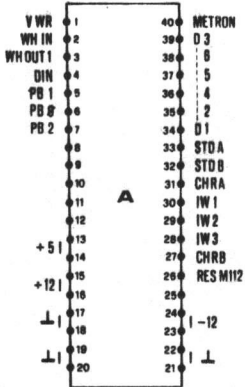


# CONTROLS BOARD

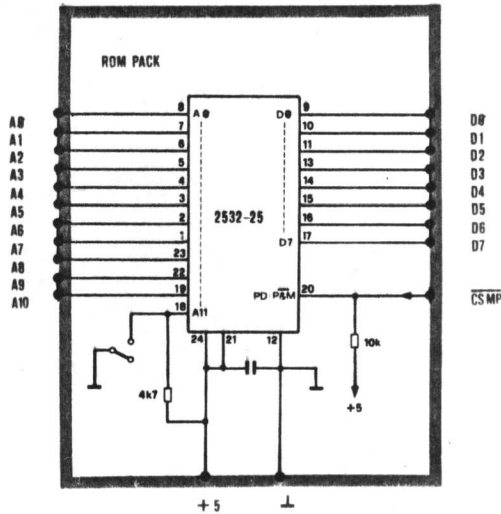




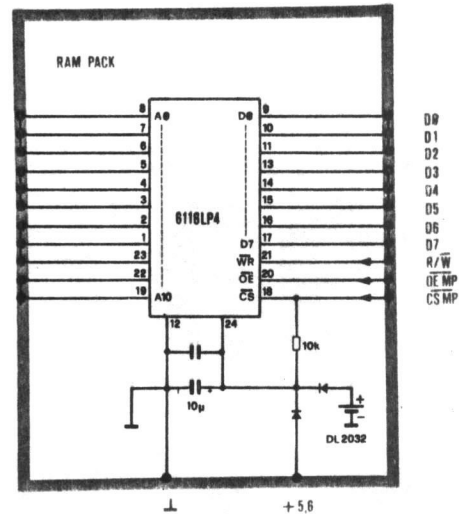
# CONNECTIONS



## ROM PACK



## RAM PACK





SIEL DK80

P.C. 440.99.4022  
CPU BOARD

- IC.1 - 6N138
- IC.2 - 7404
- IC.3 - 4016
- IC.4 - TL 084
- IC.5 - DAC 831
- IC.6 - TMS 7000
- IC.7 - 6112LP-4
- IC.8 - 74HC00
- IC.9 - 2564-35
- IC.10 - 68B50
- IC.11 - 2532-30
- IC.12 - 74HC138
- IC.13 - 74HC377
- IC.14 - 74HC377
- IC.15 - 74HC373
- IC.16 - 4016
- IC.17 - 74HC32
  - LM 337
  - LM 317
  - LM 317

P.C. 440.99.4023  
GENERATION BOARD

- IC.1 - TL 084
- IC.2 - TL 084
- IC.3 - 4016
- IC.4 - SSM 2045
- IC.5 - TL 082
- IC.6 - M 112
- IC.7 - M 112
- IC.8 - SSM 2045
- IC.9 - TDA 1022
- IC.10 - LM 393
- IC.11 - TL 082
- IC.12 - 4070
- IC.13 - TL 082
- IC.14 - MM 5437N
- IC.15 - TL 082
- IC.16 - TL 084
- IC.17 - TL 084
- IC.16 - TL 082
- IC.19 - 4051
- IC.20 - TL 084
- IC.21 - TL 084
- IC.22 - 4051
- IC.23 - TL 084
- IC.24 - TL 084
- IC.25 - 4051
- IC.26 - SSM 2031
- IC.27 - TL 082
- IC.26 - SSM 2031

P.C. 440.99.4024  
KEYBOARD

IC.1 - 74HC154

P.C. 440.99.0339  
DISPLAY & SWITCHES BOARD

IC.1 - M5451  
IC.2 - 4011  
IC.3 - BDX 33  
Display man 4810 A

P.C, 440.99.0340  
RAM PACK

6116 P4

P.C. 440.99.0342  
ROM PACK

2532-25

NOTES:

- ALL condensers without specification are 47n ceramic condensers
- All resistors are 1/4 W.
- All resistors whose symbol is marked with an oblique stroke are 1% precision resistors.
- Upward arrows on CPU BOARD indicate a +5 voltage.
- Upward arrows on GENERATION BOARD indicate +12 voltage. UNLESS OTHERWISE INDICATED.