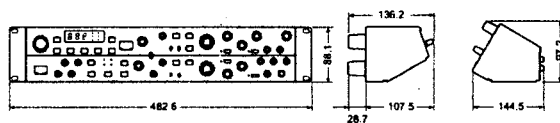


Analog Filter Module

MODEL *MFC42*

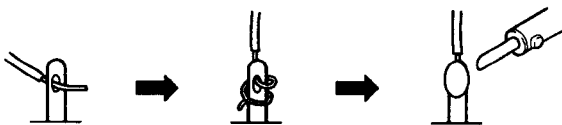
SPECIFICATIONS

Filter:	LOW PASS, HIGH PASS, BAND PASS, NOTCH 2 POLE, 4 POLE, 8 POLE (Mono channel only)	Connectors:	
Effects:	PHASE SHIFTER, DISTORTION	MONO IN	6.3mm phone jack x1 (Impedance 47k Ohms), max. +16dBm
Control:	LFO WAVE (Triangle, Square, Sawtooth, Random), ENVELOPE GENERATOR (A, D, S, R), MIDI CLOCK SYNC (on/off)	STEREO IN	6.3mm phone jack x2 (Impedance 47k Ohms), max. +16dBm RCA x2, LINE/PHONO (Impedance 19k/32k Ohms), max. 0dBm / -33dB
Knobs	INPUT (x2), CUTOFF (x2), RESONANCE (x2), LEVEL (x2), PAN (Mono channel only), A, D, S, R, RATE, DEPTH, L-R PHASE, SPEED, DEPTH (PHASE SHIFTER), OUTPUT (DISTORTION), HIGH, LOW (EQ), MAIN VOLUME, PHONES LEVEL	OUTPUT L/R	6.3mm phone jack x2 (Impedance 1k Ohms), max. +16dBm RCA x2 (Impedance 1k Ohms), max. +16dBm
Keys	2 POLE (x2), 4 POLE (x2), 8 POLE (Mono channel only), CUTOFF, RESO, WAVE, LFO, ENVELOPE, TRIGGER, TAP TEMPO, BEAT, - 3 -, MIDI CLOCK SYNC, LINK, INVERT, PHASE SHIFTER, DISTORTION, +, -, MIDI CH., CC NUMBER	MIDI	DIN 5pin x3 (IN, OUT, THRU)
Levers	FILTER TYPE (2 x2), DESTINATION	Headphone	6.3mm stereo phone jack x1, 70mW (load Impedance 32 Ohms)
		Display:	7-segment LED x3
		Power Supply:	AC100V/120V/230V, 50/60Hz, 12 Watts
		Dimensions:	482.6 (w) x 88.1 (h) x 136.2 (d) mm
		Weight:	2.8kg
		Accessories:	AC Cord, Operator's Manual
		Option:	KIT-MFC (Mounting bracket kit for MPC2000/MPC2000XL)



★ SAFETY INSTRUCTIONS

- Parts identified by the Δ symbol are critical for safety. Replace them only with the parts number specified.
- In addition to safety, other parts and assemblies are specified for conformance with such regulations as those applying to spurious radiation. These must also be replaced only with the specified replacements.
Examples : Noise blocking capacitors, noise blocking filters, etc.
- Use specified internal wiring. Note especially :
 - Wires covered with PVC tubing
 - Double insulated wires
 - High voltage leads
- Use specified insulating materials for hazardous live parts. Note especially :
 - Insulation Tape
 - PVC tubing
 - Spacers (insulating barriers)
 - Insulation sheets for transistors
 - Plastic screws for fixing micro switches
- When replacing AC primary side components (transformers, power cords, noise blocking capacitors, etc.), wrap the ends of the wires securely around the terminals before soldering.



- Make sure that wires do not contact heat producing parts (heat sinks, oxide metal film resistors, fusible resistors, etc.).
- Check that replaced wires do not contact sharp edged or pointed parts.
- Also check areas surrounding repaired locations.
- Make sure that foreign objects (screws, solder droplets, etc.) do not remain inside the set.

SAFETY CHECK AFTER SERVICING

After servicing, make measurements of leakage-current or resistance in order to determine that exposed parts are acceptably insulated from the supply circuit. The leakage-current measurement should be done between accessible metal parts (such as chassis, ground terminal, microphone jacks, signal input/output connectors, etc.) and the earth ground through a resistor of 1500 ohms paralleled with a 0.15 μ F capacitor, under the unit's normal working conditions. The leakage-current should be less than 0.5 mA rms AC. The resistance measurement should be done between accessible exposed metal parts and power cord plug prongs with the power switch (if included) "ON". The resistance should be more than 2.2 M ohms.

★ INFORMATION

SYMBOLS FOR PRIMARY DESTINATION

Unit destinations are indicated with letters as shown below.

Symbols	Principal Destinations
A	U.S.A
B	England
E	Europe
J	Japan
V	Germany
X1	Japan
X4	Universal Area

WARNING

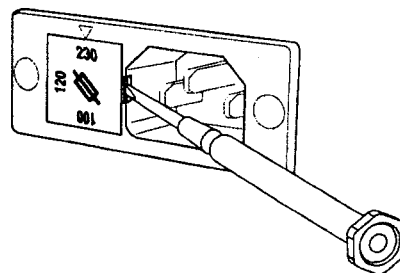
The MFC42 is designed to be used in a standard household environment.

Power requirements for electrical equipment differ from area to area. The operating voltage of this MFC42 is preset at the factory according to its intended destination. However, before connecting, check to see that the VOLTAGE SELECTOR on the rear panel is set to the correct voltage for your area. If not, please set it correctly before plugging in the power cord.

100 VAC @ 50/60 Hz for Japan.
120 VAC @ 60 Hz for USA and Canada
230 VAC @ 50 Hz for Europe

If the VOLTAGE SELECTOR is not set correctly for your area:

Confirm that the power cord is disconnected. Remove the VOLTAGE SELECTOR with a screw driver and replace it so that the correct voltage for your area is lined with the marker. Also, change the fuse according to the chart indicated below (on the rear panel as well) as necessary.

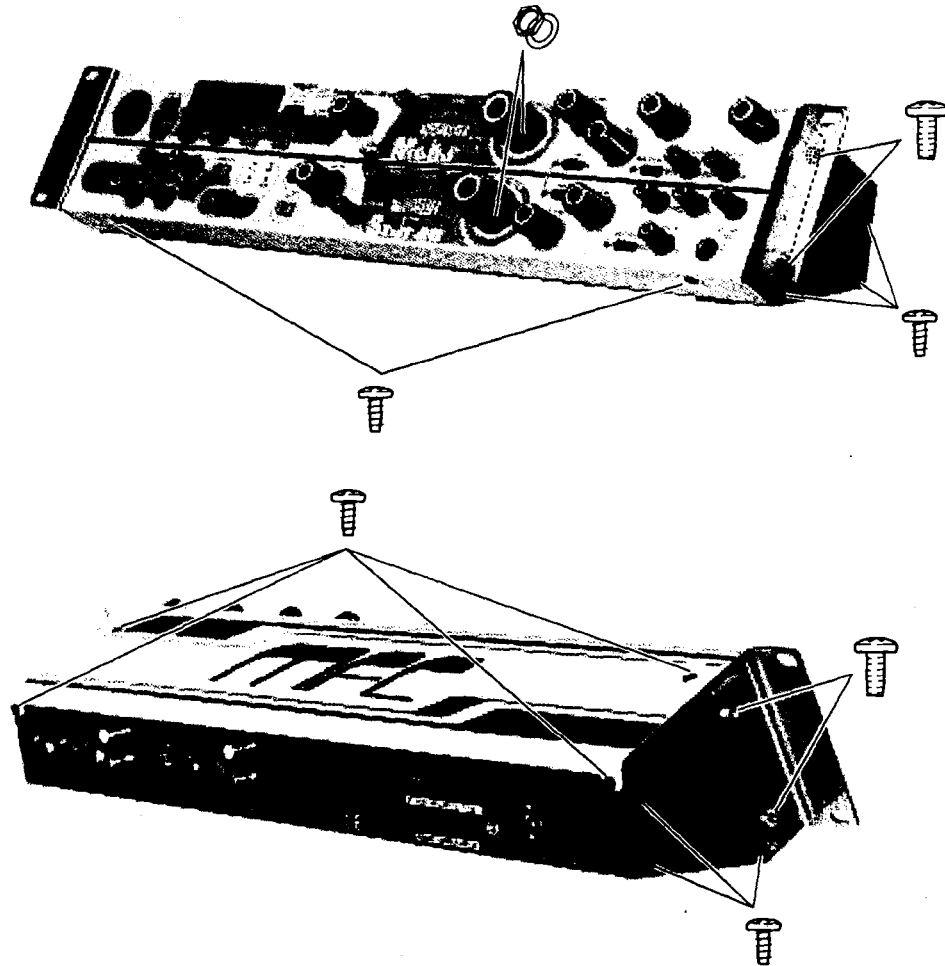


VOLTAGE	FREQUENCY	FUSE
100V ~	50/60Hz	T160mA L250V
120V ~	50/60Hz	T160mA L250V
230V ~	50/60Hz	T80mA L250V

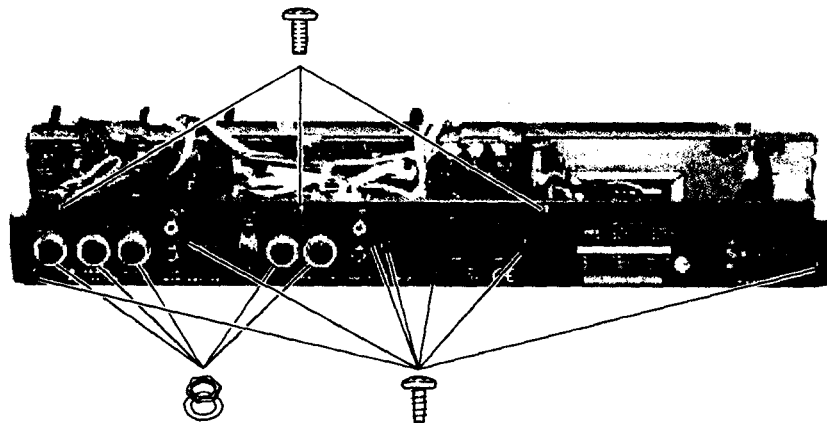
I. DISASSEMBLY

In case of trouble, etc., necessitating dismantling, please dismantle in the order shown in the illustrations. Reassemble in the reverse order.

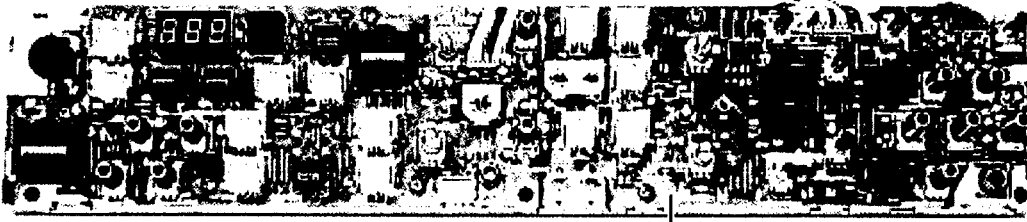
1. Removal of the FRONT PANEL BLOCK



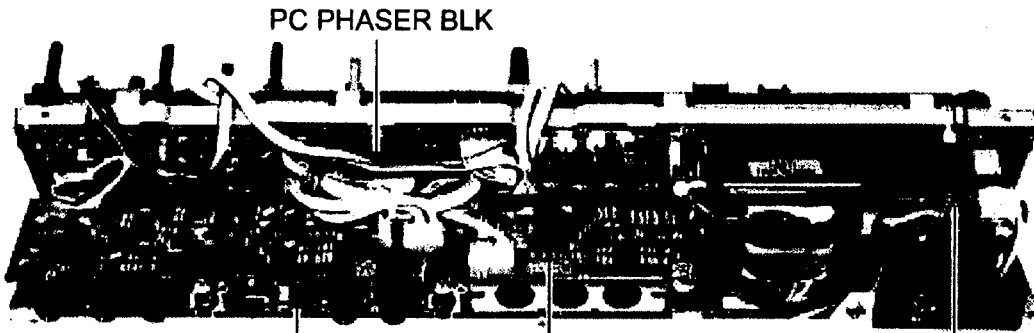
2. Removal of the REAR PANEL BLOCK



II. PRINCIPAL PARTS LOCATION



PC OPERATION BLK



PC PHASER BLK

PC JACK BLK

PC FILTER BLK

PC POWER SW BLK

III. TEST MODE

1. MEMORY CLEAR

While holding [MIDI CH] and [CC NUMBER] buttons down, turn the unit on.
The 7-segment LED display flashes "CLR" briefly and then returns to normal display.
All parameters are reset to their default settings.

2. TEST MODE

Turn [RATE] VR to minimum.
While holding [TAP TEMPO] and [TRIGGER] buttons down, turn the unit on.
The 7-segment LED display shows "8.8.8" and all LEDs are turned on.
Press [SEND SCENE +]/[SEND SCENE -] buttons to select the desired Test mode.

- 2-1 All LED and Display Check - "8.8.8" displayed
All LEDs and 7-segment LEDs light up when [RATE] VR is at minimum.
When [RATE] VR is turned clockwise, individual LEDs begin to flash one by one.
- 2-2 Volume/Switch Check - "-2-" displayed
Turn each VR, the display shows the value of VR, 000 - 127.
Press each Switch, the display shows the number assigned.
Note: INPUT VOL, MAIN VOL, EQ LOW/HIGH, and Phones LEVEL have no effect.
- 2-3 INPUT/OUTPUT Check - "-3-" displayed
In this mode, all VOL/SW settings are set by the CPU regardless of their position, except for INPUT VOL, MAIN VOL, EQ LOW/HIGH.
Filter circuits are bypassed by internal switches (IC47, IC48, IC51, IC52).
Switches in this test mode are set as described in the block diagram.
Set the following VRs manually, as INPUT VOL -> MAX, MAIN VOL -> MAX, EQ LOW/HIGH -> CENTER and set INPUT signal level as in the following chart. The signal output level should be as shown.

INPUT JACK	INPUT LEVEL	OUTPUT LEVEL
L mono phone jack	1kHz, -16dBs	-3.0dBs +/- 2.0dBs
mono phone jack	1kHz, -16dBs	-10.0dBs +/- 2.0dBs
pin jack (sw-line)	1kHz, -16dBs	-3.0dBs +/- 2.0dBs
pin jack (sw-phono)	1kHz, -50dBs	-3.0dBs +/- 2.0dBs

Note: Unit is dBs (0dBs = 0.775V)

- 2-4 "4-1" to "0-1" test mode are for Factory test only.

IV. PARTS LIST

ATTENTION

- When placing an order for parts, be sure to list the Part No., Model No. and the description of each part.
Otherwise, the non-delivery of the part or the delivery of a wrong part may result.
- Please make sure that Part No. is correct when ordering.
If not, a part different from the one you ordered may be delivered.
- Since the parts shown in Parts List or Preliminary Service Manual may have been the subject of changes, please use this Parts List for all future reference.

HOW TO USE THIS PARTS LIST

- This Parts List lists those parts which are considered necessary for repairs.
- Parts not shown in the Parts List will not in principle be supplied.
- How to read the Parts List.

1. PC MAIN BOARD BLK

Ref. No.	Part No.	Description
D5	ED-431276C	D SCHOT 1S30-JT05
D110	ED-431276C	D SCHOT 1S30-JT05
⋮		
IC5	EI-811073J	ICTRC-6593
<u>IC10</u>	EI-811068J	IC HD74HC157FP

↑ Service parts classification

↑ These reference symbols correspond with component symbols in the Schematic Diagrams.

2. FINAL ASSEMBLY BLK

Ref. No.	Part No.	Description
1.	SA-349332	FOOT
2.	ZS-344754C	ST PAN30x06STL CMT
⋮		
44.	SP-417333J	COVER TOP
45.	ZS-418385J	BT BID30X06STL BNI EATRH LOCK
46-A	△ EW-380905J	AC CORD 250S KP300 KS16A H B J [J]
46-B	△ EW-368420J1	AC CORD 200SKP30KS B AC [A]
<u>46-C</u>	△ EW-410608J	AC CORD 250 KP4819D KS31A B E [E,V]

↑ Symbols for primary destination
[A] U.S.A. [J] Japan
[B] England [V] Germany
[E] Europe [x1] Japan
[X4] Universal Area

↑ Safety critical component

↑ This number corresponds with the individual parts index number in the figure.

WARNING

△ INDICATES SAFETY CRITICAL COMPONENTS. FOR CONTINUED SAFETY, REPLACE SAFETY CRITICAL COMPONENTS ONLY WITH MANUFACTURER'S RECOMMENDED PARTS.

AVERTISSEMENT

△ IL INDIQUE LES COMPOSANTS CRITIQUES DE SÉCURITÉ. POUR MAINTENIR LE DEGRÉ DE SÉCURITÉ DE L'APPAREIL, NE REMPLACER QUE DES PIÈCES RECOMMANDÉES PAR LE FABRICANT.

1. PC BOARD BLK

The PC Board Block may contain several PC Boards. They appear under its block name without their individual part number. If one of the PC Board is required, you need to order the whole PC Board block. The individual PC Board is not available separately.

Ref. No.	Part No.	Description
1	BA-L8017A020A	PC(##)FILTER BLK MFC42
2	BA-L8017A030A	PC(##)OPERATION BLK MFC42

PC (##) FILTER BLK CONSISTS OF FOLLOWING P.C.BOARDS.

- * P.C. JACK BLK
- * P.C. PHASER BLK
- * P.C. FILTER BLK
- * P.C. POWER SW BLK

PC (##) OPERATION BLK CONSISTS OF FOLLOWING P.C.BOARDS.

- * P.C. OPERATION BLK
- * P.C. PHONE JACK BLK
- * P.C. DESTINATION SW BLK
- * P.C. ST FILTER SW BLK
- * P.C. MONO FILTER SW BLK

2. PC JACK BLK

Ref. No.	Part No.	Description
D10	ED-811455J	D SILICON H 1SS133T-77 T26
D11	ED-811455J	D SILICON H 1SS133T-77 T26
D12	ED-811455J	D SILICON H 1SS133T-77 T26
D13	ED-811455J	D SILICON H 1SS133T-77 T26
D14	ED-811455J	D SILICON H 1SS133T-77 T26
D23	ED-811455J	D SILICON H 1SS133T-77 T26
D24	ED-811455J	D SILICON H 1SS133T-77 T26
D25	ED-403280J	D SILICON 1N4002N02 T05 100/1A
D26	ED-403280J	D SILICON 1N4002N02 T05 100/1A
D27	ED-403280J	D SILICON 1N4002N02 T05 100/1A
D28	ED-403280J	D SILICON 1N4002N02 T05 100/1A
D29	ED-386579J	D ZENER H HZS6A1L T26
IC1	EI-820659X	IC NJM2082M
IC2	EI-810826J	IC NJM4558M FTP1T32P
IC8	EI-810826J	IC NJM4558M FTP1T32P
IC13	EI-810826J	IC NJM4558M FTP1T32P
IC14	EI-810826J	IC NJM4558M FTP1T32P
IC19	EI-810826J	IC NJM4558M FTP1T32P
IC20	EI-810826J	IC NJM4558M FTP1T32P
IC34	EI-820625X	IC SSM2164S
IC35	EI-820625X	IC SSM2164S
IC43	EI-820627X	IC BU4094BCF E2 FPE2T16E
IC44	EI-820627X	IC BU4094BCF E2 FPE2T16E
IC45	EI-820627X	IC BU4094BCF E2 FPE2T16E
IC46	EI-820662X	IC BU4053BCF E2 FPE2T16E
IC47	EI-820662X	IC BU4053BCF E2 FPE2T16E
IC48	EI-820662X	IC BU4053BCF E2 FPE2T16E
IC51	EI-820662X	IC BU4053BCF E2 FPE2T16E
IC52	EI-820662X	IC BU4053BCF E2 FPE2T16E
IC53	EI-430926J	DETECTOR PC400
IC54	EI-810683J	IC HD74HC00FP
TR2	ET-362847	TR 2SA1317 S,T,U T05
TR3	ET-362209	TR 2SC3330 S,T,U T05
TR4	ET-362209	TR 2SC3330 S,T,U T05
TR5	ET-364023	TR DTC114ES T05
J11	EJ-820685X	PHONE J 2P HLJ0521-01-1110 N/W
J12	EJ-820685X	PHONE J 2P HLJ0521-01-1110 N/W
J13	EJ-820685X	PHONE J 2P HLJ0521-01-1110 N/W
J14	EJ-820685X	PHONE J 2P HLJ0521-01-1110 N/W
J15	EJ-820685X	PHONE J 2P HLJ0521-01-1110 N/W
J17	EJ-820623X	PIN J YKC21-3487 2P

Ref. No.	Part No.	Description
J18	EJ-820623X	PIN J YKC21-3487 2P
J20	EJ-403478J	DIN J YKF51-5040 5P
SW4	ES-820629X	SW SLIDE S5AA120200 02-02

3. PC PHASER BLK

Ref. No.	Part No.	Description
D15	ED-403280J	D SILICON 1N4002N02 T05 100/1A
D16	ED-403280J	D SILICON 1N4002N02 T05 100/1A
D17	ED-403280J	D SILICON 1N4002N02 T05 100/1A
D18	ED-403280J	D SILICON 1N4002N02 T05 100/1A
D19	ED-403280J	D SILICON 1N4002N02 T05 100/1A
D20	ED-403280J	D SILICON 1N4002N02 T05 100/1A
D21	ED-403280J	D SILICON 1N4002N02 T05 100/1A
D22	ED-403280J	D SILICON 1N4002N02 T05 100/1A
IC100	EI-395058J	IC NJM7805FA
IC101	EI-416620J	IC NJM7809FA
IC102	EI-424469J	IC NJM7909FA
IC16	EI-810826J	IC NJM4558M FTP1T32P
IC17	EI-810826J	IC NJM4558M FTP1T32P
IC18	EI-810826J	IC NJM4558M FTP1T32P
IC21	EI-810826J	IC NJM4558M FTP1T32P
IC22	EI-810826J	IC NJM4558M FTP1T32P
IC23	EI-810826J	IC NJM4558M FTP1T32P
IC24	EI-810826J	IC NJM4558M FTP1T32P
IC25	EI-810826J	IC NJM4558M FTP1T32P
IC26	EI-810826J	IC NJM4558M FTP1T32P
IC27	EI-810826J	IC NJM4558M FTP1T32P
IC28	EI-810826J	IC NJM4558M FTP1T32P
IC36	EI-820666X	IC NJM13700M
IC37	EI-820666X	IC NJM13700M
IC38	EI-820666X	IC NJM13700M
IC39	EI-820666X	IC NJM13700M
IC40	EI-820626X	IC DAC7513E T08
IC41	EI-820660X	IC BU4051BCF E2 FPE2T16E
IC42	EI-820660X	IC BU4051BCF E2 FPE2T16E
TR7	ET-362209	TR 2SC3330 S,T,U T05
TR8	ET-362209	TR 2SC3330 S,T,U T05

4. PC FILTER BLK

Ref. No.	Part No.	Description
IC3	EI-810826J	IC NJM4558M FTP1T32P
IC4	EI-810826J	IC NJM4558M FTP1T32P
IC5	EI-820659X	IC NJM2082M
IC6	EI-820659X	IC NJM2082M
IC9	EI-810826J	IC NJM4558M FTP1T32P
IC10	EI-810826J	IC NJM4558M FTP1T32P
IC11	EI-820659X	IC NJM2082M
IC12	EI-820659X	IC NJM2082M
IC31	EI-820625X	IC SSM2164S
IC32	EI-820625X	IC SSM2164S
IC33	EI-820625X	IC SSM2164S
IC49	EI-820661X	IC BU4052BCF E2 FPE2T16E
IC50	EI-820661X	IC BU4052BCF E2 FPE2T16E

5. PC POWER SW BLK

Ref. No.	Part No.	Description
FL14	EO-811397J	COIL LF LF-4Z-E102
SW5	ES-820630X	SW PUSH SDKLA10300 01-1

6. PC OPERATION BLK

Ref. No.	Part No.	Description
D1	ED-820634X	D LED TOT-4301FS-B
D5	ED-811508J	D LED SEL2215R RED
D6	ED-811508J	D LED SEL2215R RED
D7	ED-811508J	D LED SEL2215R RED
D8	ED-811508J	D LED SEL2215R RED
D9	ED-811508J	D LED SEL2215R RED
D10	ED-811508J	D LED SEL2215R RED
D11	ED-811508J	D LED SEL2215R RED
D12	ED-811508J	D LED SEL2215R RED
D13	ED-811508J	D LED SEL2215R RED
D14	ED-811508J	D LED SEL2215R RED
D15	ED-820635X	D LED SEL5255S RED
D16	ED-820635X	D LED SEL5255S RED
D17	ED-811508J	D LED SEL2215R RED
D18	ED-811508J	D LED SEL2215R RED
D19	ED-811508J	D LED SEL2215R RED
D20	ED-820635X	D LED SEL5255S RED
D21	ED-820635X	D LED SEL5255S RED
D22	ED-820635X	D LED SEL5255S RED
D23	ED-820635X	D LED SEL5255S RED
D24	ED-820665X	D LED SEL5955A OGANGE
D25	ED-820636X	D LED SEL5755C YELLOW
D26	ED-820636X	D LED SEL5755C YELLOW
D27	ED-820636X	D LED SEL5755C YELLOW
D28	ED-820636X	D LED SEL5755C YELLOW
D29	ED-820636X	D LED SEL5755C YELLOW
D30	ED-820636X	D LED SEL5755C YELLOW
D31	ED-811506J	D LED SEL2415G GREEN
D33	ED-811455J	D SILICON H 1SS133T-77 T26
D34	ED-811455J	D SILICON H 1SS133T-77 T26
D35	ED-811455J	D SILICON H 1SS133T-77 T26
D36	ED-811455J	D SILICON H 1SS133T-77 T26
D37	ED-811455J	D SILICON H 1SS133T-77 T26
D38	ED-811455J	D SILICON H 1SS133T-77 T26
D100	ED-811455J	D SILICON H 1SS133T-77 T26
D101	ED-811455J	D SILICON H 1SS133T-77 T26
IC1	EI-810826J	IC NJM4558M FTP1T32P
IC2	EI-810826J	IC NJM4558M FTP1T32P
IC3	EI-397079J	IC HD74HC04FP
IC4	EI-820599X	IC HD6433642RB83H MFC42
IC5	EI-820667X	IC NJM4556AM
IC6	EI-431113J	IC M51953BFP-73A FP73AT12E
IC7	EI-820660X	IC BU4051BCF E2 FPE2T16E
IC8	EI-820660X	IC BU4051BCF E2 FPE2T16E
IC9	EI-813040J	IC 93LC46AT-I/SN FP T08E
IC10	EI-810826J	IC NJM4558M FTP1T32P
IC11	EI-810826J	IC NJM4558M FTP1T32P
X1	EI-430893J	OSC CE CST16.00MXW-TF01 T05
SW6	ES-349474	SW TACT SKHHAM004A
SW7	ES-349474	SW TACT SKHHAM004A
SW8	ES-349474	SW TACT SKHHAM004A
SW9	ES-349474	SW TACT SKHHAM004A
SW10	ES-349474	SW TACT SKHHAM004A
SW11	ES-415015J	SW TACT SKQEAD
SW12	ES-349474	SW TACT SKHHAM004A
SW13	ES-349474	SW TACT SKHHAM004A
SW14	ES-349474	SW TACT SKHHAM004A
SW15	ES-349474	SW TACT SKHHAM004A
SW16	ES-349474	SW TACT SKHHAM004A

Ref. No.	Part No.	Description
SW17	ES-349474	SW TACT SKHHAM004A
SW18	ES-349474	SW TACT SKHHAM004A
SW19	ES-349474	SW TACT SKHHAM004A
SW20	ES-349474	SW TACT SKHHAM004A
SW21	ES-415015J	SW TACT SKQEAD
SW22	ES-349474	SW TACT SKHHAM004A
SW23	ES-349474	SW TACT SKHHAM004A
SW24	ES-349474	SW TACT SKHHAM004A
SW25	ES-349474	SW TACT SKHHAM004A
SW26	ES-349474	SW TACT SKHHAM004A
SW27	ES-349474	SW TACT SKHHAM004A
SW28	ES-349474	SW TACT SKHHAM004A
TR3	ET-362847	TR 2SA1317 S,T,U T05
TR4	ET-362847	TR 2SA1317 S,T,U T05
TR5	ET-362847	TR 2SA1317 S,T,U T05
TR6	ET-362847	TR 2SA1317 S,T,U T05
TR7	ET-362847	TR 2SA1317 S,T,U T05
TR8	ET-362847	TR 2SA1317 S,T,U T05
TR9	ET-362847	TR 2SA1317 S,T,U T05
TR10	ET-362847	TR 2SA1317 S,T,U T05
TR11	ET-362847	TR 2SA1317 S,T,U T05
TR12	ET-362847	TR 2SA1317 S,T,U T05
TR13	ET-362847	TR 2SA1317 S,T,U T05
TR14	ET-362847	TR 2SA1317 S,T,U T05
TR15	ET-362847	TR 2SA1317 S,T,U T05
TR16	ET-362847	TR 2SA1317 S,T,U T05
TR17	ET-362209	TR 2SC3330 S,T,U T05
TR18	ET-362209	TR 2SC3330 S,T,U T05
TR19	ET-362209	TR 2SC3330 S,T,U T05
TR20	ET-362209	TR 2SC3330 S,T,U T05
TR21	ET-362209	TR 2SC3330 S,T,U T05
TR22	ET-362209	TR 2SC3330 S,T,U T05
TR23	ET-362209	TR 2SC3330 S,T,U T05
TR25	ET-362209	TR 2SC3330 S,T,U T05
VR1	EV-820603X	VR ROTARY RK09K12CAF25A24 A203
VR2	EV-820656X	VR ROT RK09K113AF25A24 AS A203
VR3	EV-820605X	VR ROTARY RK12L1232F25B14 B103
VR4	EV-820605X	VR ROTARY RK12L1232F25B14 B103
VR5	EV-820606X	VR ROTARY RK12L12C1F30A24 A203
VR6	EV-820607X	VR ROTARY RK12L12C1F25A24 A203
VR7	EV-820602X	VR ROTARY RK09K113AF25B14 B103
VR8	EV-820602X	VR ROTARY RK09K113AF25B14 B103
VR9	EV-820602X	VR ROTARY RK09K113AF25B14 B103
VR10	EV-820602X	VR ROTARY RK09K113AF25B14 B103
VR11	EV-820657X	VR ROTARY RK09L1141F20B14 B103
VR12	EV-820604X	VR ROTARY RK09L1142F20B14 B103
VR13	EV-820602X	VR ROTARY RK09K113AF25B14 B103
VR14	EV-820600X	VR ROTARY RK09D113AF30B14 B103
VR15	EV-820600X	VR ROTARY RK09D113AF30B14 B103
VR16	EV-820600X	VR ROTARY RK09D113AF30B14 B103
VR17	EV-820657X	VR ROTARY RK09L1141F20B14 B103
VR18	EV-820600X	VR ROTARY RK09D113AF30B14 B103
VR19	EV-820657X	VR ROTARY RK09L1141F20B14 B103
VR20	EV-820601X	VR ROTARY RK09D113BF30B14 B103
VR21	EV-820602X	VR ROTARY RK09K113AF25B14 B103
VR22	EV-820602X	VR ROTARY RK09K113AF25B14 B103
VR23	EV-820602X	VR ROTARY RK09K113AF25B14 B103

7. PC PHONE JACK BLK

Ref. No.	Part No.	Description
J100	EJ-821000X	PHONE J YKB26-5264 S.NUT 6.3

8. PC DESTINATION SW BLK

Ref. No.	Part No.	Description
D200	ED-811455J	D SILICON H 1SS133T-77 T26

9. PC ST FILTER SW BLK

Ref. No.	Part No.	Description
D400	ED-811455J	D SILICON H 1SS133T-77 T26
D600	ED-811455J	D SILICON H 1SS133T-77 T26

10. PC MONO FILTER SW BLK

Ref. No.	Part No.	Description
D300	ED-811455J	D SILICON H 1SS133T-77 T26
D500	ED-811455J	D SILICON H 1SS133T-77 T26

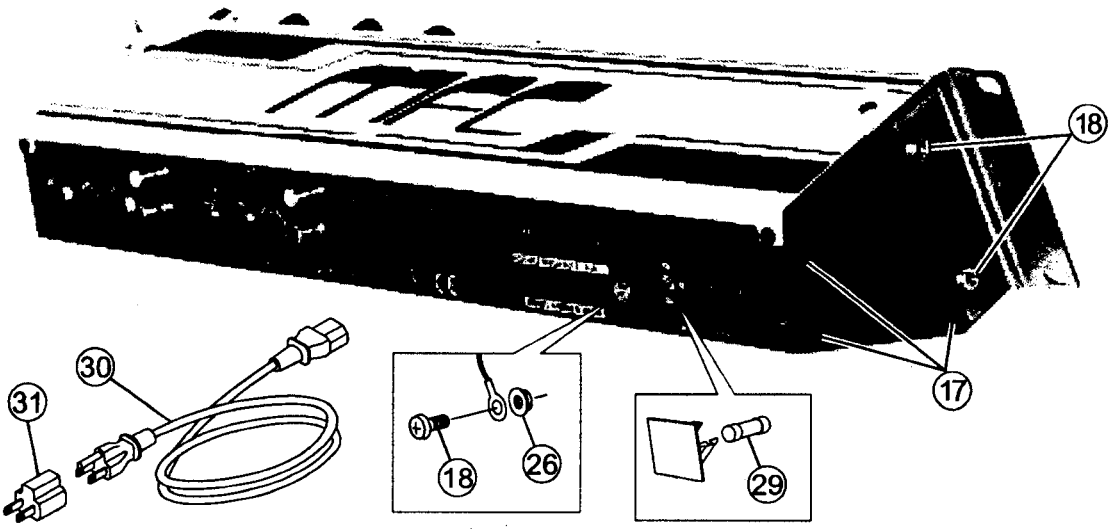
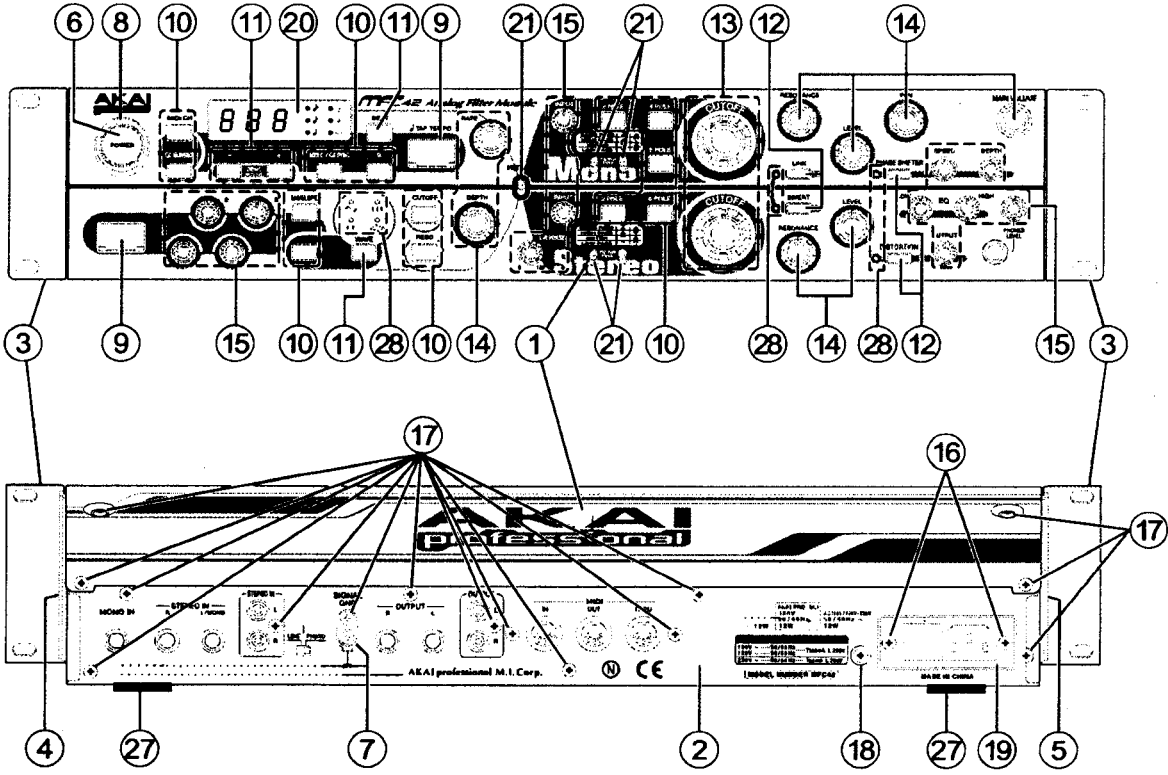
11. FINAL ASSEMBLY BLOCK

Ref. No.	Part No.	Description
1	SP-820640X1	PANEL MAIN MFC42
2	SP-820641X2	PANEL REAR MFC42
3	SE-820644X	HANDLE
4	SP-820643X	COVER SIDE (R)
5	SP-820642X	COVER SIDE (L)
6	SB-820646X	BUTTON POWER
7	EJ-329610	TERMINAL W/SCREWUB-0067 L 1P
8	SE-820647X	ESCUTCHEON POWER
9	SB-820930X	BUTTON PUSH TRA MFC GRAY
10	SB-820587X	BUTTON PUSH LED (A) WHITE
11	SB-820927X	BUTTON PUSH LED (D) GRAY
12	SB-820928X	BUTTON PUSH SMALL (C) GRAY
13	SK-820650X	KNOB VOLUME
14	SK-820651X	KNOB MAIN VOLUME
15	SK-820929X	KNOB VOL. (B)
16	ZS-820481X	BT PAN30X08STL BZN C080
17	ZS-331182	BT BID30X08STL BNI
18	ZS-322570	ST BID40X08STL NI3
19	▲EJ-820628X	SOCKET INLET BACI-03 3P
20	SE-820645X	WINDOW LED
21	ES-820598X	SW TOGGLE E-2012P
22	▲BT-820624X	TRANS POW L8017 (U)
23	ZS-313796	ST BID40X08STL CMT
25	ZS-355511	BID30X06STL BNI
26	ZW-413267	N FRANGE 40STL CMT
27	SA-820639X	FOOT
28	SE-820649X	LENS LED
29-A	▲EF-821270X	FUSE 50T T 250V 160MA [J,A]
29-B	▲EF-821269X	FUSE ET T 250V 80MA [E,V,B]
30-A	▲EW-380905J	AC CORD 250S KP300 KS16A H B J [J]
30-B	▲EW-368420J1	AC CORD200SKP30KS16 B AC [A]
30-C	▲EW-403993J	AC CORD200SKP4819DKS31A B E [E,V]
30-D	▲EW-419170J	AC CORD200S KP610 KS31A B [B]
31	▲EJ-405424J	PLUG ADAPTOR KPR-25 [J]

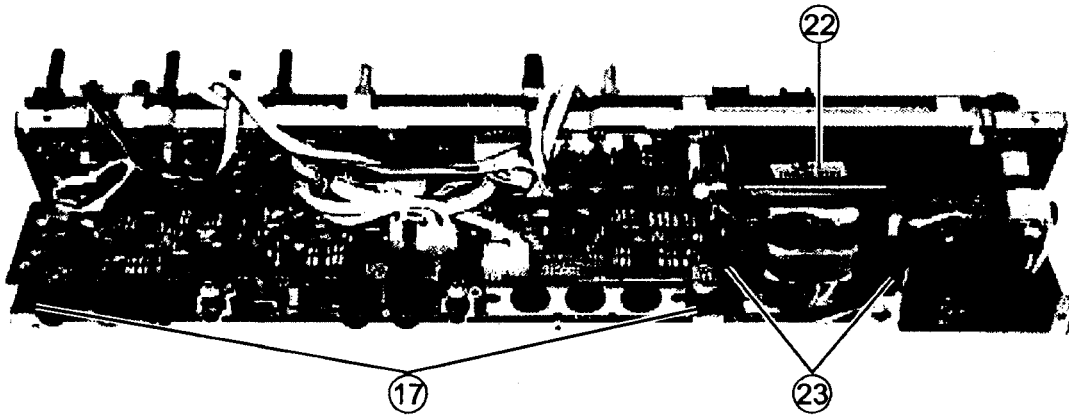
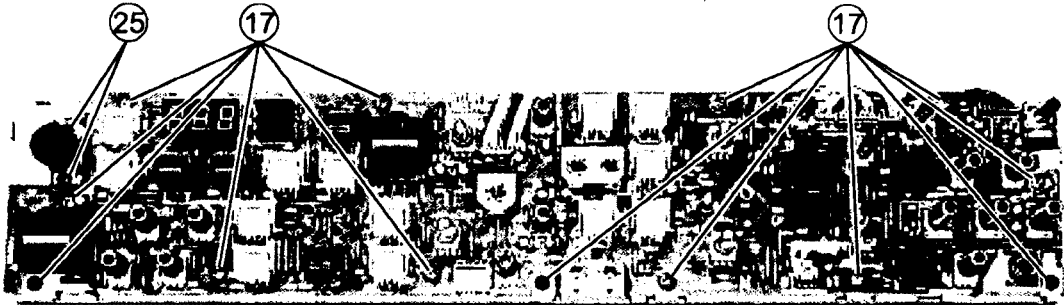
NOTE :

Parts will not be supplied if they are not listed in the parts list, even if they appear on the assembling illustrations with reference No.

FINAL ASSEMBLY BLK MFC42

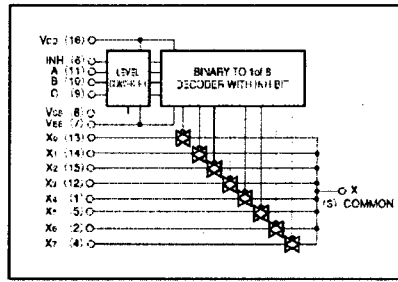
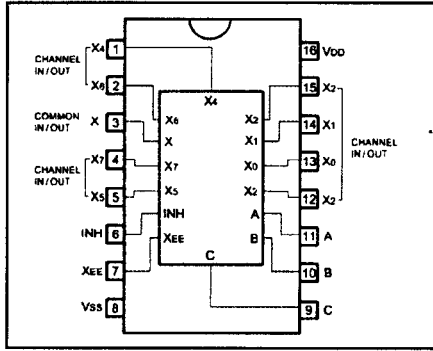


FINAL ASSEMBLY BLK MFC42

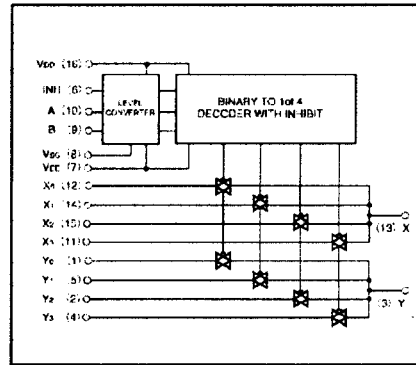
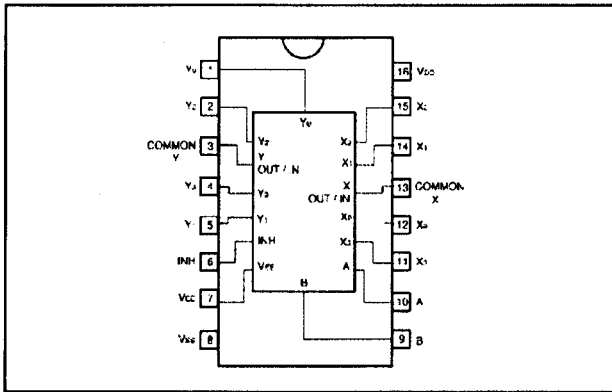


Information of ICs

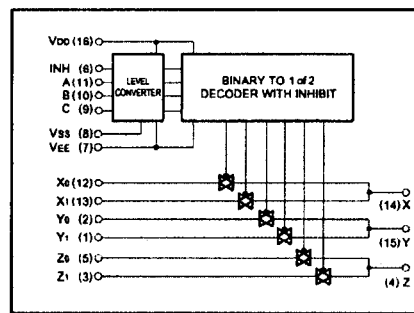
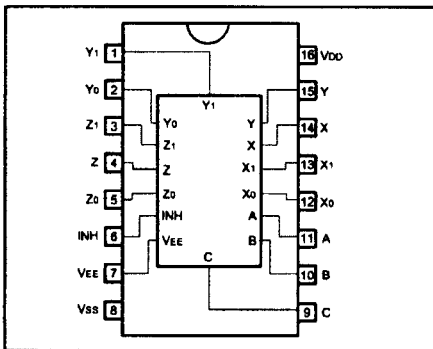
BU4051BC (8ch Analog Multiplexer/ DeMultiplexer)



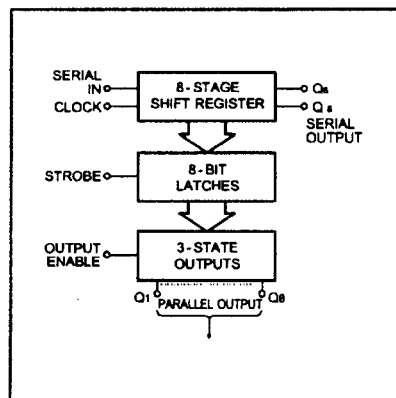
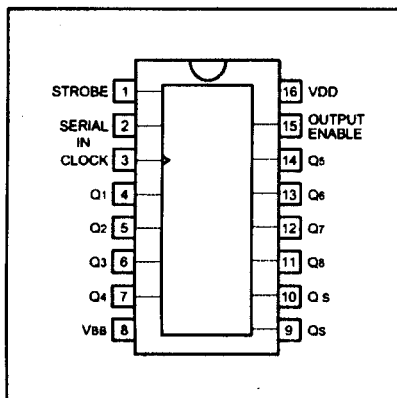
BU4052BC (Dual 4ch Analog Multiplexer)



BU4053BC (Triple 2ch Analog Multiplexer/ DeMultiplexer)



BU4094BC (8bit Bus Compatible Shift/ Store register)



AKAI professional M.I. Corp.

1-3, Hiranuma 1-Chome, Nishi-Ku, Yokohama, Japan

SERVICE SECT. PHONE : +81-45-412-2373 FAX : +81-45-412-2372