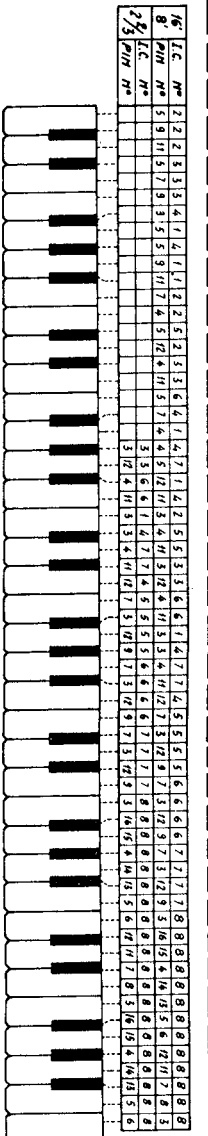
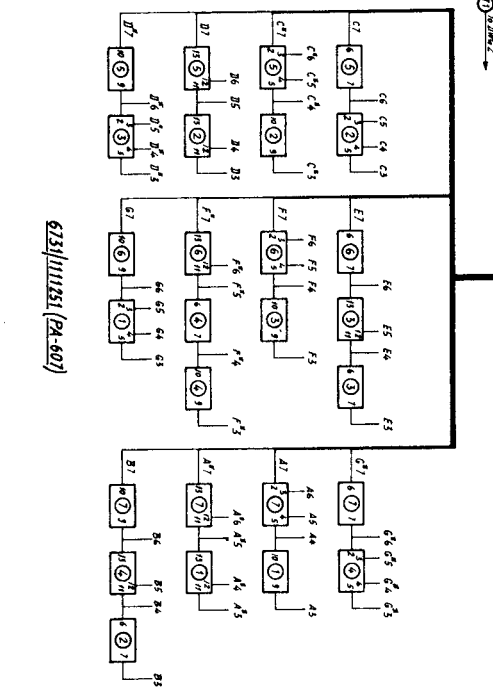
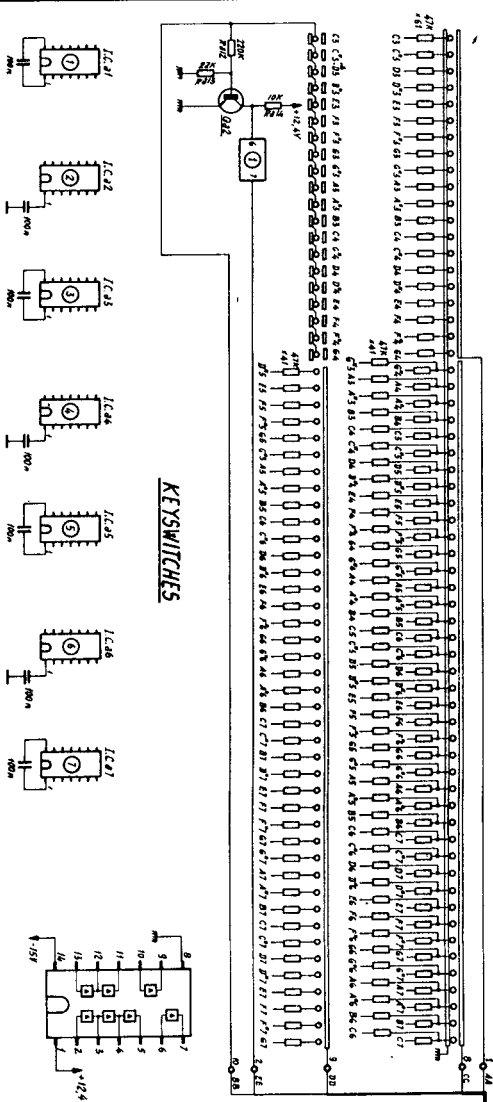
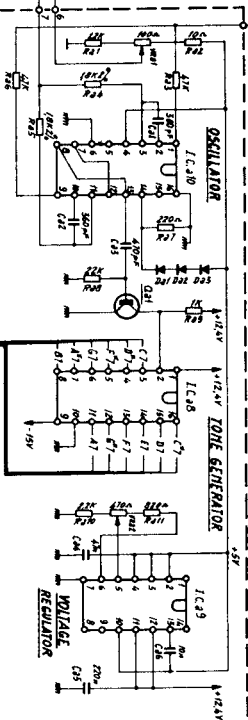
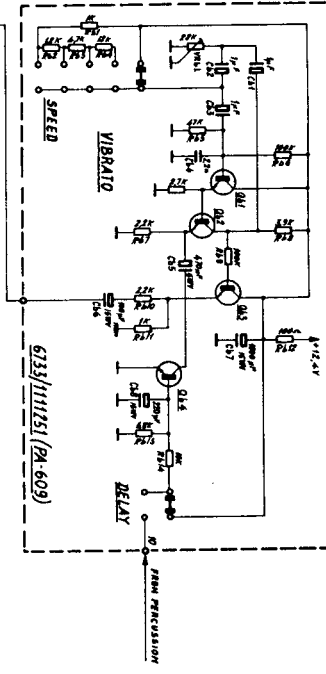
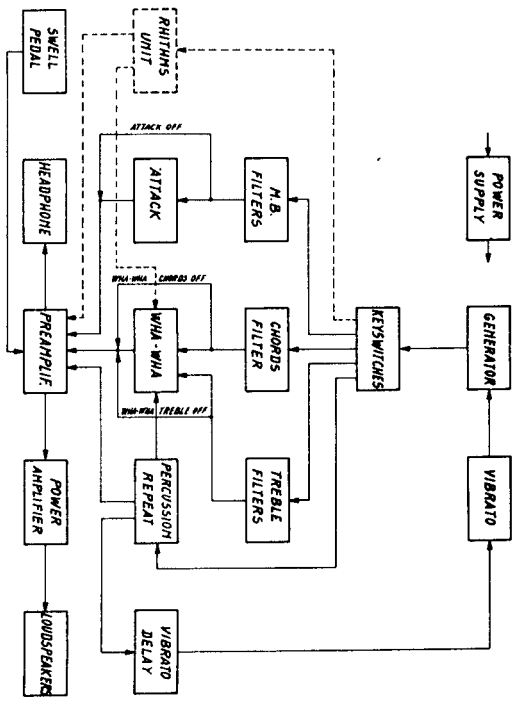
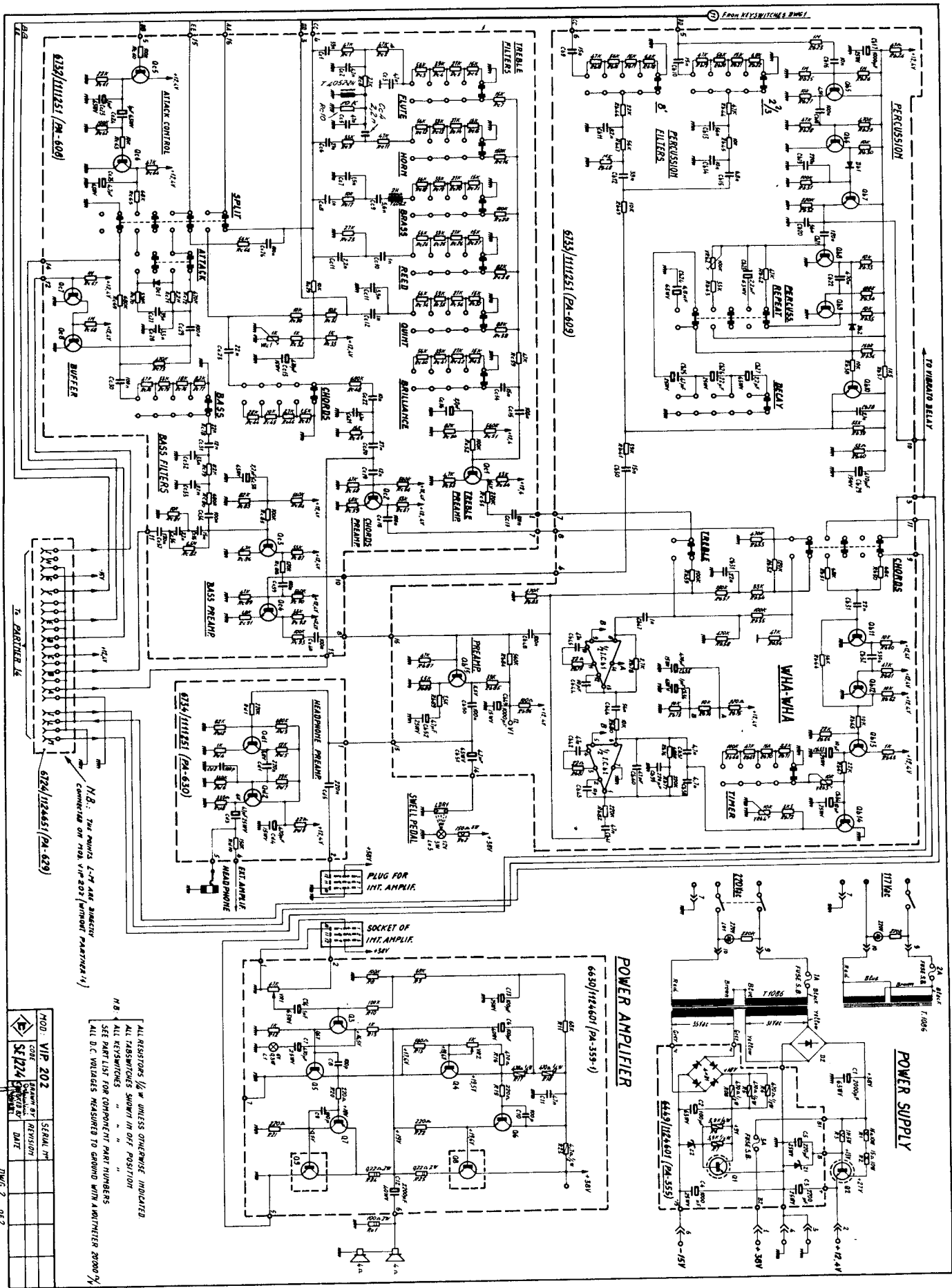


BLOCK DIAGRAM



[ALL RESISTORS 1/2 W UNLESS OTHERWISE INDICATED
 ALL RESISTORS SHOWN IN OFF POSITION
 ALL KEYSWITCHES " " " "
 SEE PART LIST FOR COMPONENT PART NUMBERS
 ALL D.C. VOLTAGES MEASURED TO GROUND WITH A VOLTMETER 20000 Ω/V

MOD: VIP 202	SERIAL NO:
DATE: SE/22/24	REVISION:
DESIGNER: [Signature]	DATE:
DRAW: I on 2	



N.B.: THE PINS 4-7 ARE DIRECT CONNECTED ON 75A V.P. 202 (PART 14)

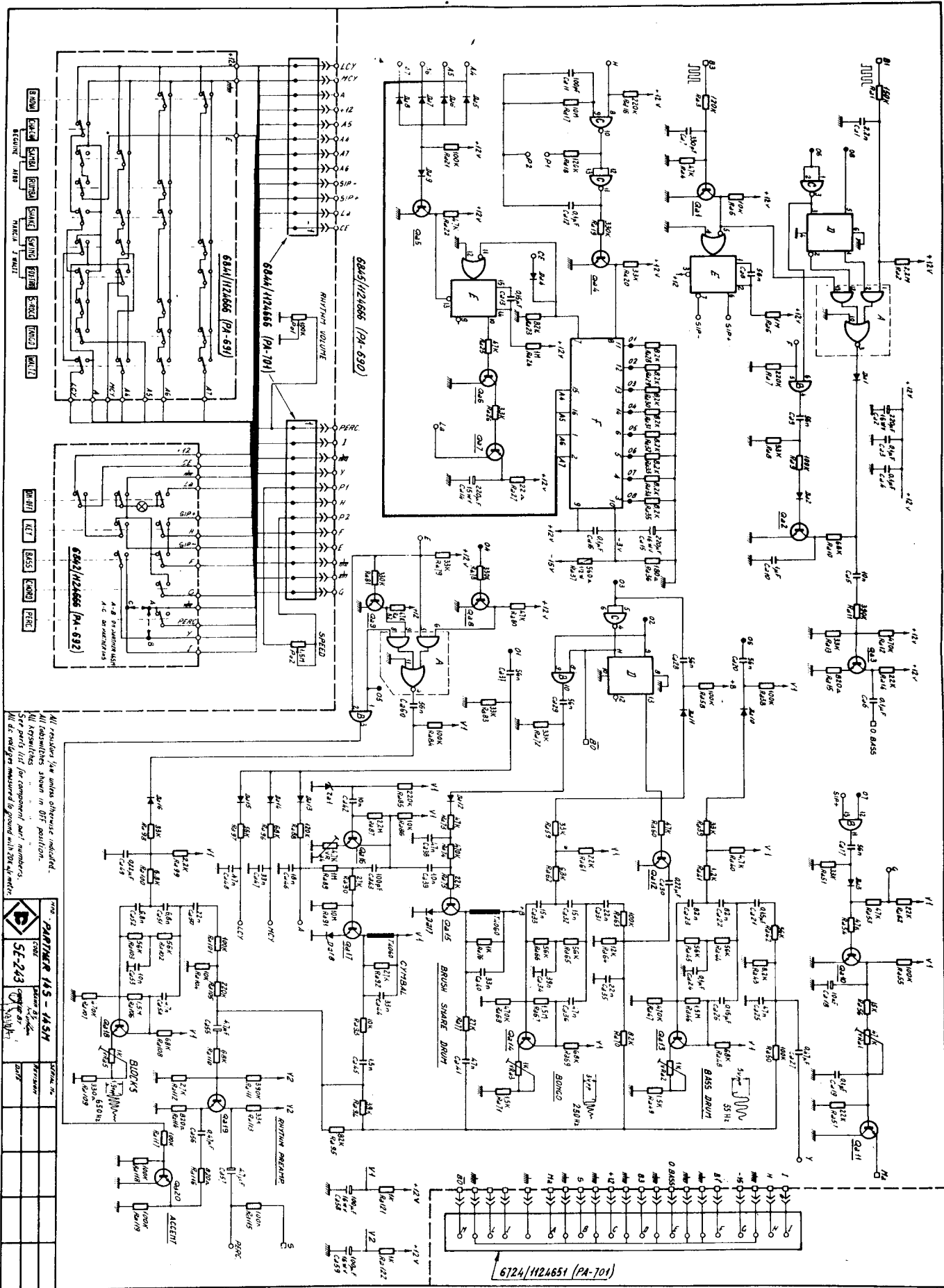
N.B.: THE PINS 4-7 ARE DIRECT CONNECTED ON 75A V.P. 202 (PART 14)

ALL RESISTORS 1/2 W UNLESS OTHERWISE INDICATED
ALL TAPS SWITCHES SHOWN IN OFF POSITION
ALL KEY SWITCHES " " " " " "
SEE PART LIST FOR COMPONENT PART NUMBERS
ALL D.C. VOLTAGES MEASURED TO GROUND WITH AMMETER 20000 Ohms

NO. 202	VIP 202	REVISION	DATE
6650/1124601	PA-555-1	REVISION	
6449/1124601	PA-555	REVISION	
634/111231	PA-630	REVISION	
633/111231	PA-609	REVISION	

Schem.Ref.	Circuit	Type	Part Code
<u>CHASSIS</u>	<u>POWER SUPPLY CHASSIS (DWG 2/SE 224)</u>		
Q 2	Series Stabilizer.....	Westinghouse 156-043.. Solitron H 9340.....	W/1800
D 2	Rectifier Bridge.....	ITT B40-C 2200..... SIEMENS B 40-C 2200... AEG B 40-C 2200.....	B/1201
<u>PA 355</u>	<u>VOLTAGE REGULATOR BOARD (DWG 2/SE 224)</u>		<u>6449/1124601</u>
Q 1	Series Stabilizer.....	BC 286.....	W/1601
D 1	Rectifier Diodes (Bridge)..	TEXAS 1N 914.....	B/1002
Z 1	Voltage Reference-Diode Zener (13V - 1W)	ITT ZY 13..... MOTOROLA 1N 4743-A....	B/1418
Z 2	Voltage Reference-Diode Zener (15V - 400mW)	ITT ZPD 15..... MOTOROLA 1N 5245 B....	B/1319
<u>PA 359-1</u>	<u>POWER AMPLIFIER BOARD (DWG 2/SE 224)</u>		<u>6630/1124601</u>
Q 3	Input Preamplifier PNP.....	SGS IW 9640 - BC 154..	W/1500
Q 4	Temperature Compensator....	BC 207 A-B..... BC 209 B-C.....	W/1401 W/1407-1410
Q 5	Driver Amplifier NPN.....	SGS BC 286.....	W/1601
Q 6	Driver NPN.....	SGS BC 286.....	W/1601
Q 7	Driver PNP.....	SGS BC 287.....	W/1702
Q8 - Q9	Power Transistors.....	Westinghouse 156-043.. Solitron H 9340.....	W/1800
<u>PA 608</u>	<u>MANUAL BASS & FILTERS (DWG 2/SE 224)</u>		<u>6732/1111251</u>
Q c 1	Treble preamplifier.....	} BC 209 B red dot..... BC 109 B red dot.....	W/1413 W/1415
Q c 2	Chords preamplifier.....		
Q c 3	Bass preamplifier.....		
Q c 4	Preamplifier.....		
Qc5-Qc6	Attack Control.....	} BC 208-B-C..... BC 209 B.....	W/1404 W/1407
Qc7-Qc8	Buffers.....		
D c 1	Diode.....	D 525 B-BA 130.....	B/1000-B/1003

Schem.Ref.	Circuit	Type	Part Code
<u>PA 607</u>	<u>KEYSWITCH & TONE GENERATOR (DWG 1/SE 224)</u>		<u>6731/1111251</u>
ICa1+ICa7	Frequency Divider.....	G.I.E. AY-1-5050.....	W/1100-W/1101
IC a 8	Master Tone Generator.....	G.I.E. AY-1-0212.....	W/1105
IC a 9	Voltage Regulator.....	SN 72723 N.....	W/1209
IC a 10	Oscillator.....	SN 29730 N.....	W/1009
Qa1-Qa2	Buffers.....	BC 208-B-C.....	W/1404
Da1+Da3	Diodes.....	D 525 B-BA 130.....	B/1000-B/1003
<u>PA 609</u>	<u>VIBRATO-WHA-WHA (DWG 1-2/SE 224)</u>		<u>6733/1111251</u>
IC b 1	Wha-Wha Filter.....	SN 76131 white dot...	W/1212
Qb1-Qb2	Vibrato Oscillator.....	} BC 208 BC..... BC 209 B.....	W/1404 W/1407
Q b 3	Driver.....		
Q b 5	Buffer.....		
Q b 6	Amplifier.....		
Q b 7	Driver.....		
Qb8-Qb9	Multivibrator.....		
Q b 4	Delay.....	} BC 209-C MISTRAL.....	W/1426
Q b 10	Keyer.....	} BC 209-C MISTRAL.....	W/1426
Qb11-Qb12	Monostable Multivibrator..	} BC 208 B-C..... BC 209 B.....	W/1404 W/1407
Q b 13	Buffer.....		
Q b 14	Switch.....	BC 209-B.....	W/1407
Q b 15	Preamplifier.....	BC 209-B red dot.....	W/1413
D b 1	Diode.....	D 525 B-BA 130.....	B/1000-B/1003
D b 2	Diode.....	IR 10 D1-10 D4..... IR 10 D2.....	B/1100-B/1101
<u>PA 630</u>	<u>HEADPHONE PREAMPLIFIER (DWG 2/SE 224)</u>		<u>6734/1111251</u>
Qd1-Qd2	Preamplifier.....	BC 209 B red dot..... BC 109 B red dot.....	W/1413 W/1415



All resistors in Ω unless otherwise indicated.
 All capacitors shown in μF position.
 All components shown in OFF position.
 See parts list for component part numbers.
 All dimensions measured to ground unless otherwise noted.

REV. 1	DATE	BY	CHKD	APP'D
1				
2				
3				
4				
5				
6				
7				
8				
9				
10				
11				
12				
13				
14				
15				
16				
17				
18				
19				
20				
21				
22				
23				
24				
25				
26				
27				
28				
29				
30				
31				
32				
33				
34				
35				
36				
37				
38				
39				
40				
41				
42				
43				
44				
45				
46				
47				
48				
49				
50				
51				
52				
53				
54				
55				
56				
57				
58				
59				
60				
61				
62				
63				
64				
65				
66				
67				
68				
69				
70				
71				
72				
73				
74				
75				
76				
77				
78				
79				
80				
81				
82				
83				
84				
85				
86				
87				
88				
89				
90				
91				
92				
93				
94				
95				
96				
97				
98				
99				
100				

DWG 1 OF 1

PARTNER 14S-14SM TRANSISTORS (Q) & DIODES (D) LIST

1

Schem.Ref.	Circuit	Type	Part Code		
<u>PA 690</u>	<u>RHYTHM GENERATOR & CLOCK (DWG 1/SE 243)</u>		<u>6845/1124666</u>		
A	Dual 2- Wide 2- Input and/ or Invert Gate.....	4085 FAIRCHILD.....	W/1158		
B	Quadr. 2- Input and Gate..	4081 FAIRCHILD.....	W/1156		
C	Quadr. 2- Input Nand Gate.	4011 FAIRCHILD.....	W/1150		
D	Dual D - Flip-Flop.....	4013 FAIRCHILD.....	W/1157		
E	Dual Retriggerable Reset. Monostable Multivibrator..	4528 FAIRCHILD.....	W/1159		
F	Rhythm Generator.....	M 256 BIAG.-S.G.S.....	W/1110		
Qa1	Interface.....	} BC 208-B BC 209-B	W/1404 W/1407		
Qa2-Qa3	Bass Modulator.....				
Qa4	Buffer Oscillator.....				
Qa5	Switch Reset.....				
Qa6	Lamp Driver.....				
Qa8-Qa9	Buffer.....				
Qa10	Chord Modulator.....				
Qa11	Chord Modulator.....			BC 209-C-MISTRAL.....	W/1426
Qa7	Lamp Driver.....			BC 154.....	W/1500
Qa12	Switch.....			} BC 209-B BC 149-B	W/1407 W/1408
Qa13	Bass Drum.....				
Qa14	Bongo Oscillator.....				
Qa15	Brush Snare Drum Filter...				
Qa16	Noise Preamplifier.....				
Qa17	Cymbal Filter.....				
Qa18	Blocks Oscillator.....				
Qa19	Rhythm Preamplifier.....	BC 209-B red dot.....	W/1413		
Qa20	Accent Switch.....	BC 209-C MISTRAL.....	W/1426		
Za1	Noise Generator-Zener Diode	IZ 9824.....	B/1600		
Da1+Da18	Diodes.....	D 525 B- BA 130.....	B/1000-B/1003		